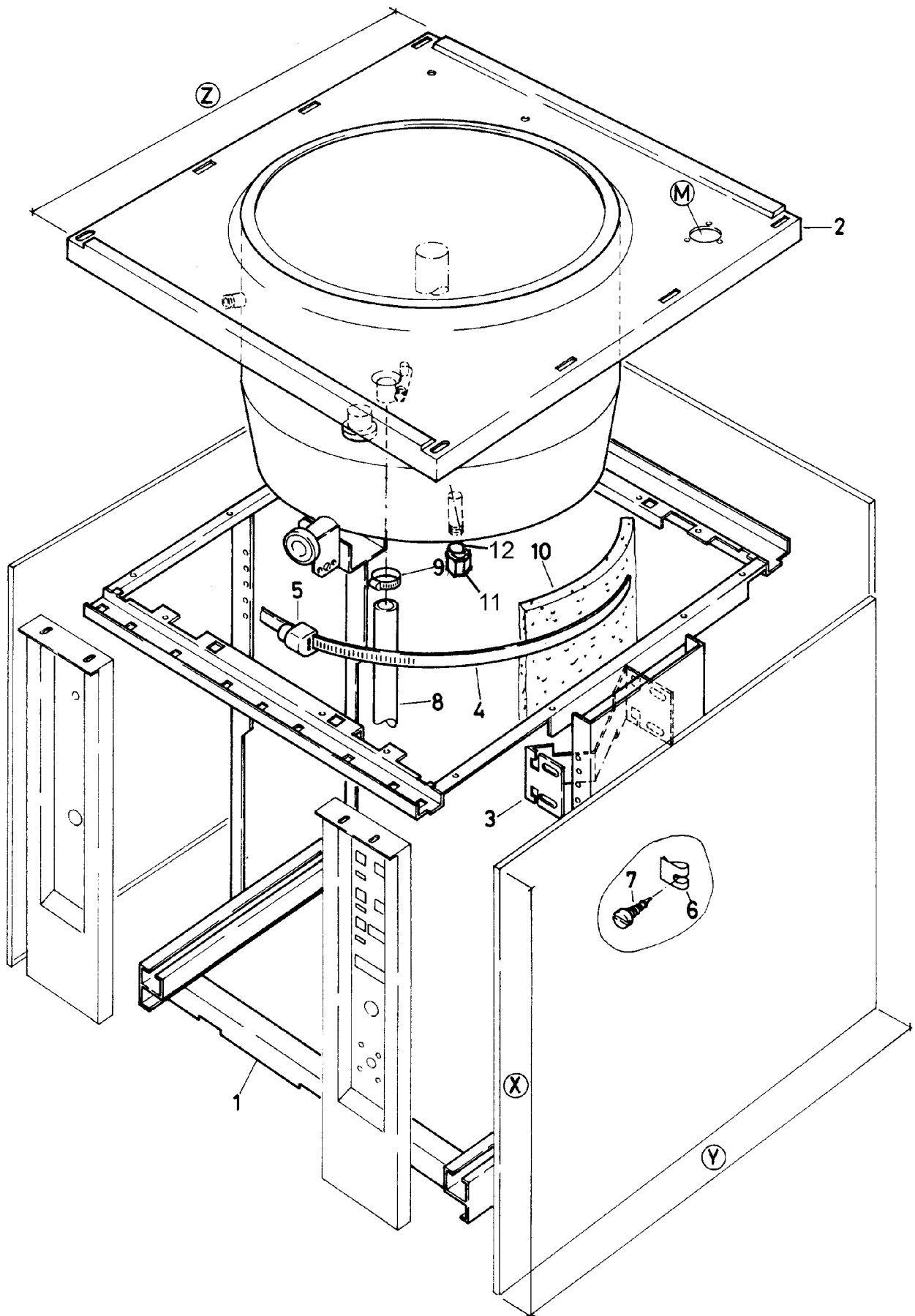


**Ersatzteillisten
Listes des pièces de rechange
Liste dei pezzi di ricambio
Spare parts lists**

**STANDKOCHKESSEL
MARMITES FIXES
PENTOLE FISSE
STATIONARY BOILING PANS**

**THERMETIC
BON-E / -S / -H**

D Baugruppe:	F Unité:	I Unità:	GB Unit:	Typ/type/tipo/type	No.
Kessel	marmite	marmitta	kettle	BON-E/S/H	76.9273.01
Dampferzeuger	générateur de vapeur	generatore di vapore	steam generator	BON-E	76.9273.02
Auslaufhahn	robinet de vidange	rubinetto di scarico	drain valve	BON-E/S/H	76.9273.04
Deckel	couvercle	coperchio	lid	BON-E/S/H	76.9273.05
Rührwerk	melangeur	mescolatore	stirring system	BON-E/S/H	76.9273.12
Deckelendschalter	interrupteur fin de course	interruttore fine corsa	limit switch	BON-E/S/H	76.9273.14
Mischbatterie	mitigeur	batteria	mixing unit	BON-E/H	76.9273.17
Entlüftung	deaération	deaereazione	deaeration	BON-E/H	76.9273.18
Entlüftung dampfbeheizt	deaération chauffage à vapeur	deaereazione riscaldata a vapore	deaeration steam heated	BON-S	76.9273.19
Schalterfront Steuerung	panneau de commande commande	pannello di comando comando	switch panel control system	BON-E/S/H	76.9273.22
Schalterfront Rührwerk	panneau de commande melangeur	pannello di comando mescolatore	switch panel stirring system	BON-E/S/H	76.9273.23
Klemmen	bornes	morse	terminals		
Schütze	contacteurs	contattori	contactors	BON-E/S/H	76.9273.30
Elektroanschluss	raccordement électrique	collegamento elettrico	electric connection	BON-E/S/H	76.9273.31
THERMACAM/HACCP				76.9273.35	
Version 1997 Dampfleitung Vorlauf/ Rücklauf Handsteuerung	conduite de vapeur entrée/ reflux commande manuelle	conduttura di vapore entrata/ riflusso regolazione a mano	steam pipe entrance/ return flow manual control	BON-S	76.9273.40
Version 2002 Dampfleitung Vorlauf/ Rücklauf	conduite de vapeur entrée/ reflux	conduttura di vapore entrata/ riflusso	steam pipe entrance/ return flow	BON-S	76.9273.42
Version 2002 Dampfleitung Vorlauf/ Rücklauf Handsteuerung	conduite de vapeur entrée/ reflux commande manuelle	conduttura di vapore entrata/ riflusso regolazione a mano	steam pipe entrance/ return flow manual control	BON-S	76.9273.43
Kühlwasserleitung	conduite d'eau refroid.	conduttura d'acqua refrig.	cooling water pipe	CHILLTHERM BON-E	76.9273.44
Kühlwasserleitung + Kondensatleitung	conduite d'eau refroid. + conduite de condensat	conduttura d'acqua refrig. + conduttura di condensa	cooling water pipe + condens pipe	CHILLTHERM BON-S	76.9273.46
Heisswasserleitung	conduites eau chaude	condutture acqua calda	hotwater conduits	BON-H	76.9273.48
Verschalung	revêtement	rivestimento	paneling	BON-E/S/H	76.9273.50
Füsse	pieds	piede	feet	BON-E/S/H	76.9273.51
Schiene	rail	stecca	rail	BON-E/S/H	76.9273.52
Rührer	mélangeur	mescolatore	stirrer	BON-E/S/H	76.9273.55
Blende	bandeau	copertura	filler	BON-E/S/H	76.9273.60
Steckdose	prise	presa di corrente	socket	BON-E	76.9273.65
Schild	plaquette	placchetta	label	BON- E/S/H	76.9273.100
BON-E	elektrisch beheizt	chauffage électrique	riscaldata elettricamente	electrically heated	
BON-S	direkt Dampf-beheizt	chauffage indirect à vapeur	riscaldata direttamente a vapore	directly steam heated	
BON-H	indirekt beheizt	chauffage indirecte	riscaldata indirettamente	indirectly heated	



Doc. No.	Index	Issue	DE	FR	IT	GB	Seite/ Page/ Pagina/ Page								
76.9273.01		09/97	Baugruppe	Unité	Unità	Unit	1								
BON			Kessel	Marmite	Pentola	Pan									

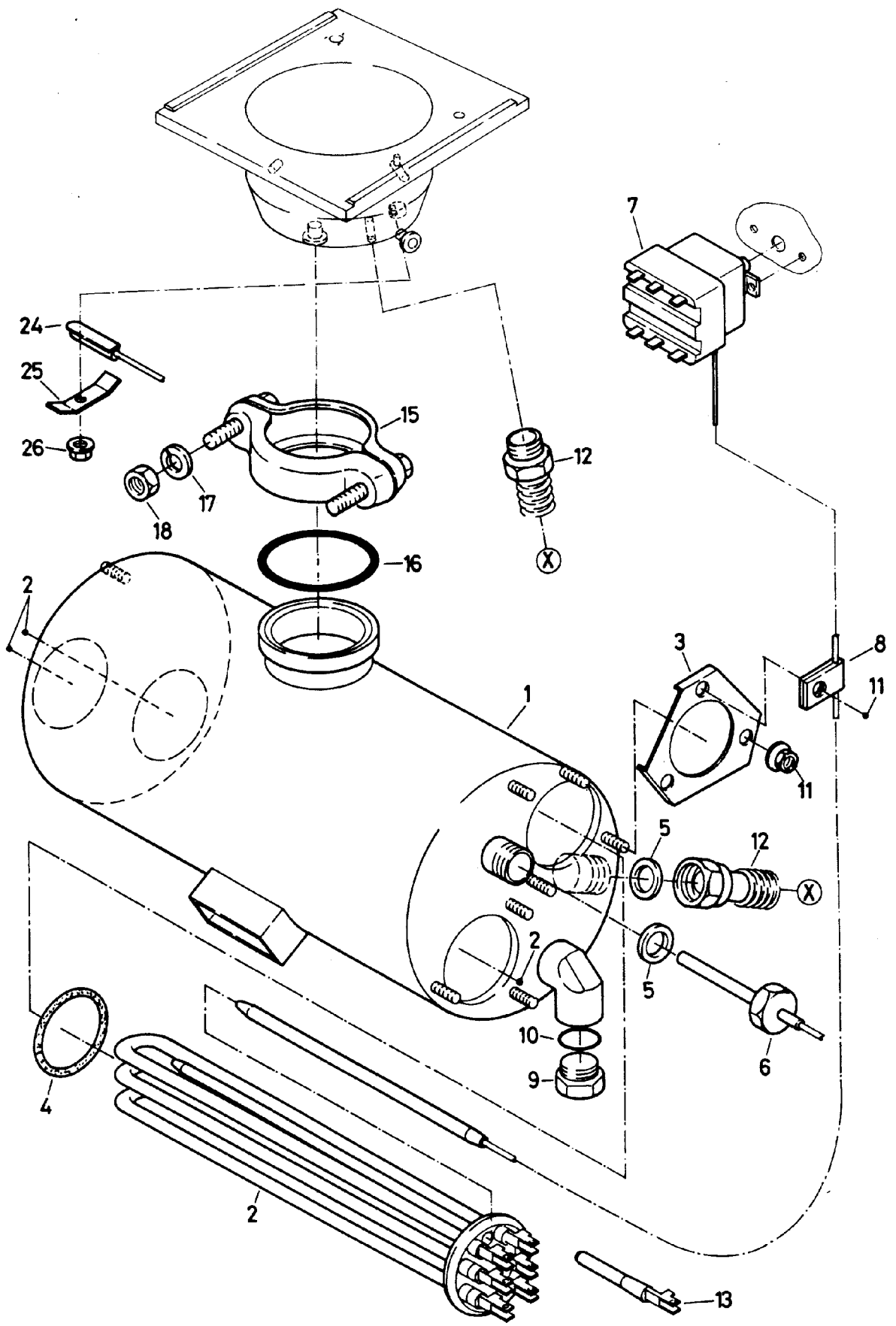
Pos.	Product No.	Service No.	Bezeichnung	Désignation	Designazione	Designation	x	y	z	M	40	60	80	100	150	Introduc-tion
1	76.4278.01		Ständer	console, montants	pilastro	support	800	800		M	1					09/97
	76.4278.11		Ständer	console, montants	pilastro	support	800	900		M	1					09/97
	76.4278.02		Ständer	console, montants	pilastro	support	800	800		M		1				09/97
	76.4278.12		Ständer	console, montants	pilastro	support	800	900		M		1				09/97
	76.4278.03		Ständer	console, montants	pilastro	support	800	800		M			1	1		09/97
	76.4278.13		Ständer	console, montants	pilastro	support	800	900		M			1			09/97
	76.4278.14		Ständer	console, montants	pilastro	support	800	900		M				1		09/97
	76.4278.15		Ständer	console, montants	pilastro	support	800	900		M					1	09/97
	76.4278.06		Ständer	console, montants	pilastro	support	700	800		M	1					09/97
	76.4278.16		Ständer	console, montants	pilastro	support	700	900		M	1					09/97
	76.4278.07		Ständer	console, montants	pilastro	support	700	800		M		1				09/97
	76.4278.17		Ständer	console, montants	pilastro	support	700	900		M		1				09/97
	76.4278.08		Ständer	console, montants	pilastro	support	700	800		M			1	1		09/97
	76.4278.18		Ständer	console, montants	pilastro	support	700	900		M			1			09/97
	76.4278.19		Ständer	console, montants	pilastro	support	700	900		M				1		09/97
	76.4278.20		Ständer	console, montants	pilastro	support	700	900		M					1	09/97
	76.4446.01		Ständer	console, montants	pilastro	support	800	800			1					09/98
	76.4446.11		Ständer	console, montants	pilastro	support	800	900			1					09/98
	76.4446.02		Ständer	console, montants	pilastro	support	800	800				1				09/98
	76.4446.12		Ständer	console, montants	pilastro	support	800	900				1				09/98
	76.4446.03		Ständer	console, montants	pilastro	support	800	800					1	1		09/98
	76.4446.13		Ständer	console, montants	pilastro	support	800	900					1			09/98
	76.4446.14		Ständer	console, montants	pilastro	support	800	900						1		09/98
	76.4446.15		Ständer	console, montants	pilastro	support	800	900							1	09/98
	76.4446.06		Ständer	console, montants	pilastro	support	700	800			1					09/98
	76.4446.16		Ständer	console, montants	pilastro	support	700	900			1					09/98
	76.4446.07		Ständer	console, montants	pilastro	support	700	800				1				09/98
	76.4446.17		Ständer	console, montants	pilastro	support	700	900				1				09/98
	76.4446.08		Ständer	console, montants	pilastro	support	700	800					1	1		09/98
	76.4446.18		Ständer	console, montants	pilastro	support	700	900					1			09/98
	76.4446.19		Ständer	console, montants	pilastro	support	700	900						1		09/98
	76.4446.20		Ständer	console, montants	pilastro	support	700	900							1	09/98

Doc. No.	Index	Issue	DE	FR	IT	GB	Seite/ Page/ Pagina/ Page			
76.9273.01		09/97	Baugruppe	Unité	Unità	Unit	2			
BON			Kessel	Marmite	Pentola	Pan				

Pos.	Product No.	Service No.	Bezeichnung	Désignation	Designazione	Designation	x	y	z	M	40	60	80	100	150	Introduc-tion
2	76.4328.01/41		Kessel elektrisch	marmite électrique	marmitta elettrica	kettle electric			800		1					09/97
	76.4328.03/43		Kessel elektrisch	marmite électrique	marmitta elettrica	kettle electric			800			1				09/97
	76.4328.05/45		Kessel elektrisch	marmite électrique	marmitta elettrica	kettle electric			800				1			09/97
	76.4328.07/47		Kessel elektrisch	marmite électrique	marmitta elettrica	kettle electric			800					1		09/97
	76.4328.11/51		Kessel elektrisch	marmite électrique	marmitta elettrica	kettle electric			800	M	1					09/97
	76.4328.13/53		Kessel elektrisch	marmite électrique	marmitta elettrica	kettle electric			800	M		1				09/97
	76.4328.15/55		Kessel elektrisch	marmite électrique	marmitta elettrica	kettle electric			800	M			1			09/97
	76.4328.17/57		Kessel elektrisch	marmite électrique	marmitta elettrica	kettle electric			800	M				1		09/97
	76.4328.02/42		Kessel elektrisch	marmite électrique	marmitta elettrica	kettle electric			900		1					09/97
	76.4328.04/44		Kessel elektrisch	marmite électrique	marmitta elettrica	kettle electric			900			1				09/97
	76.4328.06/46		Kessel elektrisch	marmite électrique	marmitta elettrica	kettle electric			900				1			09/97
	76.4328.08/48		Kessel elektrisch	marmite électrique	marmitta elettrica	kettle electric			900					1		09/97
	76.4328.09/49		Kessel elektrisch	marmite électrique	marmitta elettrica	kettle electric			900						1	09/97
	76.4328.12/52		Kessel elektrisch	marmite électrique	marmitta elettrica	kettle electric			900	M	1					09/97
	76.4328.14/54		Kessel elektrisch	marmite électrique	marmitta elettrica	kettle electric			900	M		1				09/97
	76.4328.15/56		Kessel elektrisch	marmite électrique	marmitta elettrica	kettle electric			900	M			1			09/97
	76.4328.18/58		Kessel elektrisch	marmite électrique	marmitta elettrica	kettle electric			900	M				1		09/97
	76.4328.19/59		Kessel elektrisch	marmite électrique	marmitta elettrica	kettle electric			900	M					1	09/97

Doc. No.	Index	Issue	DE	FR	IT	GB	Seite/ Page/ Pagina/ Page							
76.9273.01		09/97	Baugruppe	Unité	Unità	Unit	3							
BON			Kessel	Marmite	Pentola	Pan								

Pos.	Product No.	Service No.	Bezeichnung	Désignation	Designazione	Designation	Type	x	y	z	M	40	60	80	100	150	Introduc-tion
2	76.4369.01/14		Kessel Dampf	marmite vapeur	marmitta vapore	kettle steam				800		1					09/97
	76.4369.03/43		Kessel Dampf	marmite vapeur	marmitta vapore	kettle steam				800			1				09/97
	76.4369.05/45		Kessel Dampf	marmite vapeur	marmitta vapore	kettle steam				800				1			09/97
	76.4369.07/47		Kessel Dampf	marmite vapeur	marmitta vapore	kettle steam				800					1		09/97
	76.4369.11/51		Kessel Dampf	marmite vapeur	marmitta vapore	kettle steam				800	M	1					09/97
	76.4369.13/53		Kessel Dampf	marmite vapeur	marmitta vapore	kettle steam				800	M		1				09/97
	76.4369.15/55		Kessel Dampf	marmite vapeur	marmitta vapore	kettle steam				800	M			1			09/97
	76.4369.17/57		Kessel Dampf	marmite vapeur	marmitta vapore	kettle steam				800	M				1		09/97
	76.4369.02/42		Kessel Dampf	marmite vapeur	marmitta vapore	kettle steam				900		1					09/97
	76.4369.04/44		Kessel Dampf	marmite vapeur	marmitta vapore	kettle steam				900			1				09/97
	76.4369.06/46		Kessel Dampf	marmite vapeur	marmitta vapore	kettle steam				900				1			09/97
	76.4369.08/48		Kessel Dampf	marmite vapeur	marmitta vapore	kettle steam				900					1		09/97
	76.4369.09/49		Kessel Dampf	marmite vapeur	marmitta vapore	kettle steam				900						1	09/97
	76.4369.12/52		Kessel Dampf	marmite vapeur	marmitta vapore	kettle steam				900	M	1					09/97
	76.4369.14/54		Kessel Dampf	marmite vapeur	marmitta vapore	kettle steam				900	M		1				09/97
	76.4369.15/56		Kessel Dampf	marmite vapeur	marmitta vapore	kettle steam				900	M			1			09/97
	76.4369.18/58		Kessel Dampf	marmite vapeur	marmitta vapore	kettle steam				900	M				1		09/97
	76.4369.19/59		Kessel Dampf	marmite vapeur	marmitta vapore	kettle steam				900	M					1	09/97
3	76.5279.01		Halter	fixation	sostegno	support				800					2		09/97
	76.5279.01		Halter	fixation	sostegno	support				900				2		2	09/97
	76.5279.02		Halter	fixation	sostegno	support				900			2		2		09/97
	76.5469		Halter	fixation	sostegno	support				900		2					06/99
4	1116 1148		Bride	bride	brida	shackle						2	2	2	2	2	09/97
5	1116 1149		Schloss	serrure	serratura	lock						2	2	2	2	2	09/97
6	712 044 121.01	1900 1235	Mutter	écrou	dado	nut	4.8					8	8	8	8	8	09/97
7	1701 7539		Schraube	vis	vite	screw	4.8x13					8	8	8	8	8	09/97
8	1117 1119		Schlauch	tuyau flexible	tubo flessibile	hose	29/22x800					1	1	1	1	1	09/97
9	1103 1170		Klemme	borne	morsa	terminal						2	2	2	2	2	09/97
10	70.1549		Isolation	isolation	isolazione	insulation						L1	L2	L3	L4	L5	09/97
11	712 344 853.09		Kappe	capuchon	cappa	cap	1/2"					1	1	1	1	1	09/97
12	712 044 481.21	1900 6840	Dichtung	joint	guarnizione	sealing	24x17x2					1	1	1	1	1	09/97



Doc. No.	Index	Issue	DE	FR	IT	GB	Seite/ Page/ Pagina/ Page			
76.9273.02		09/97	Baugruppe	Unité	Unità	Unit	1			
BON			Dampferzeuger	générateur de vapeur	generatore di vapore	steam generator				

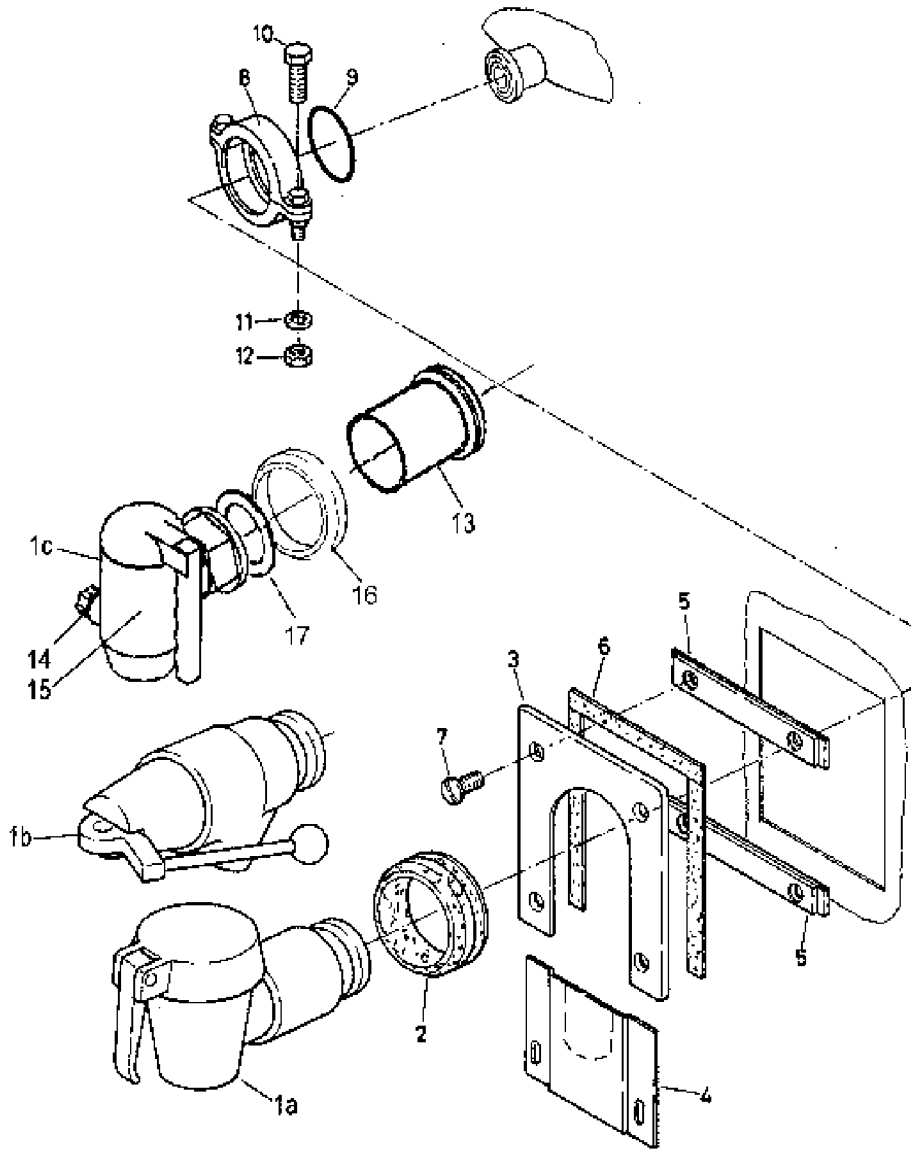
Pos.	Product No.	Service No.	Bezeichnung	Désignation	Designazione	Designation	Type	4.3I BON 40, 60	6I BON 80, 100	7.7I BON 150	Introduc- tion
1	76.4058.01		Behälter	réipient	recipiente	container		1			09/97
	76.4058.02		Behälter	réipient	recipiente	container			1		09/97
	76.4058.03		Behälter	réipient	recipiente	container				1	09/97
3	76.4146		Halter	fixation	sostegno	support		4	4	4	09/97
4	718 042 198	1900 6668	Dichtung	joint	guarnizione	sealing	Ø48x6	4	4	4	09/97
5	712 044 481.21	1900 6840	Dichtung	joint	guarnizione	sealing	Ø18x11	2	2	2	09/97
6	76.3006	1802 5570	Fühler	sonde	sensore	sensor		1	1	1	09/97
7	76.3033	1802 5561	Begrenzer	limiteur	limitatore	limiter		1	1	1	09/97
8	76.4169		Halter	fixation	sostegno	support		1	1	1	09/97
9	1117 1239		Stopfen	bouchon	tappo	plug		1	1	1	09/97
10	1101 2157		Ring	anneau	anello	ring		1	1	1	9/98
			Loctite 577					1	1	1	9/98
11	712 044 120.06	1101 8577	Mutter	écrou	dado	nut	M6	12	12	12	09/97
12	1117 1238		Leitung	conduite	conduttura	conduit		1	1	1	09/97
13	76.3049	1801 3708	Sicherung	fusible	fusibile	fuse		1	1	1	09/97
15	713 842 019		Bride	bride	brida	shackle		1	1	1	09/97
16	713 042 130	1900 6837	Dichtung	joint	guarnizione	sealing		1	1	1	09/97
17	1701 5008		Federring	anneau de ressort	anello di molla	spring ring	M8	2	2	2	09/97
18	1701 3044		Mutter	écrou	dado	nut	M8	2	2	2	09/97
24	76.3005.01	1802 5560	Fühler	sonde	sensore	sensor		1	1	1	09/97
	76.3064		Paste	pâte	pasta	paste		1	1	1	09/97
25	76.4191	1900 5060	Halter	fixation	sostegno	support		1	1	1	09/97
26	712 044 120.04	1101 8575	Mutter	écrou	dado	nut	M5	1	1	1	09/97

Doc. No.	Index	Issue	DE	FR	IT	GB	Seite/ Page/ Pagina/ Page				
76.9273.02		09/97	Baugruppe	Unité	Unità	Unit	2				
BON			Dampferzeuger	générateur de vapeur	generatore di vapore	steam generator					

Pos.	Product No.	Service No.	Bezeichnung	Désignation	Designazione	Designation	Type		4.3l	6l	7.7l	Introduction
2	76.3027.01		Heizung	chauffage	riscaldamento	heating	3kW/200V		3			09/97
	76.3027.02		Heizung	chauffage	riscaldamento	heating	3kW/200V		1			09/97
	76.3027.03	1800 1100	Heizung	chauffage	riscaldamento	heating	3kW/230V		3			09/97
	76.3027.04	1800 1101	Heizung	chauffage	riscaldamento	heating	3kW/230V		1			09/97
	76.3027.05		Heizung	chauffage	riscaldamento	heating	3kW/240V		3			09/97
	76.3027.06		Heizung	chauffage	riscaldamento	heating	3kW/240V		1			09/97
	76.3027.07		Heizung	chauffage	riscaldamento	heating	3kW/255V		3			09/97
	76.3027.08		Heizung	chauffage	riscaldamento	heating	3kW/255V		1			09/97
	76.3028.01		Heizung	chauffage	riscaldamento	heating	4.5kW/200V			3		09/97
	76.3028.02		Heizung	chauffage	riscaldamento	heating	4.5kW/200V			1		09/97
	76.3028.03	1800 1102	Heizung	chauffage	riscaldamento	heating	4.5kW/230V			3		09/97
	76.3028.04	1800 1103	Heizung	chauffage	riscaldamento	heating	4.5kW/230V			1		09/97
	76.3028.05		Heizung	chauffage	riscaldamento	heating	4.5kW/240V			3		09/97
	76.3028.06		Heizung	chauffage	riscaldamento	heating	4.5kW/240V			1		09/97
	76.3028.07		Heizung	chauffage	riscaldamento	heating	4.5kW/255V			3		09/97
	76.3028.08		Heizung	chauffage	riscaldamento	heating	4.5kW/255V			1		09/97
	76.3029.01		Heizung	chauffage	riscaldamento	heating	6kW/200V				3	09/97
	76.3029.02		Heizung	chauffage	riscaldamento	heating	6kW/200V				1	09/97
	76.3029.03	1800 1104	Heizung	chauffage	riscaldamento	heating	6kW/230V				3	09/97
	76.3029.04	1800 1105	Heizung	chauffage	riscaldamento	heating	6kW/230V				1	09/97
	76.3029.05		Heizung	chauffage	riscaldamento	heating	6kW/240V				3	09/97
	76.3029.06		Heizung	chauffage	riscaldamento	heating	6kW/240V				1	09/97
	76.3029.07		Heizung	chauffage	riscaldamento	heating	6kW/255V				3	09/97
	76.3029.08		Heizung	chauffage	riscaldamento	heating	6kW/255V				1	09/97

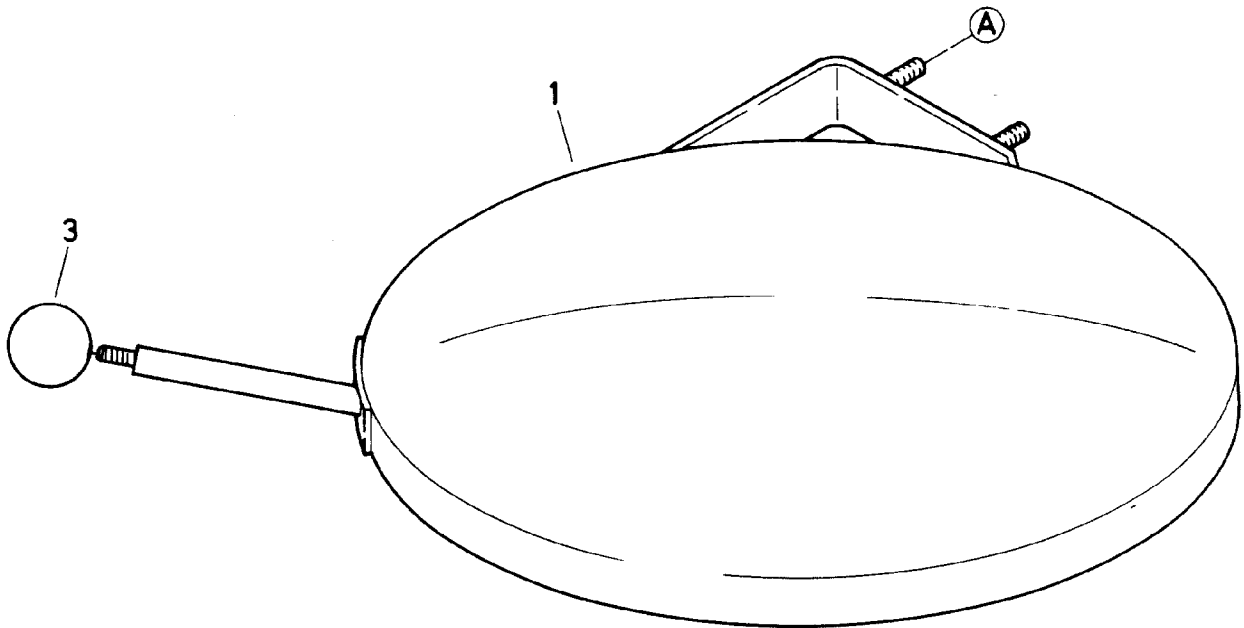
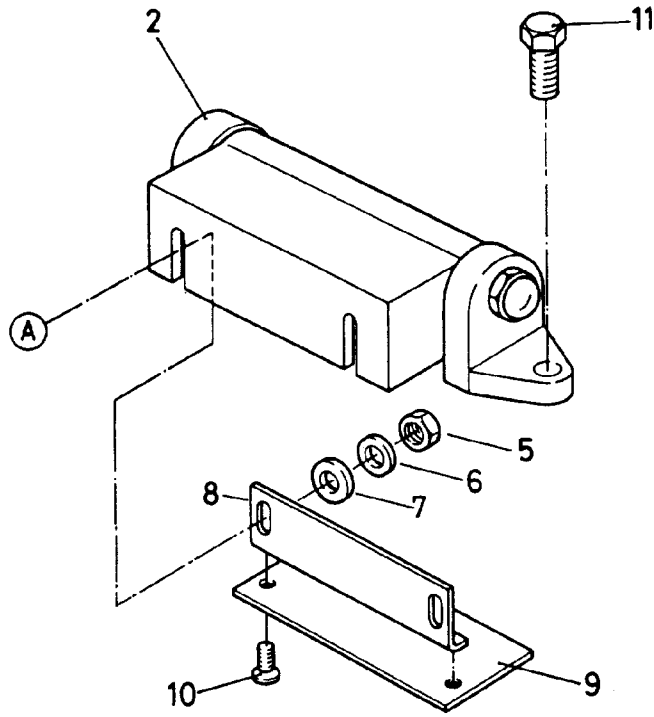
Doc. No.	Index	Issue	DE	FR	IT	GB	Seite/ Page/ Pagina/ Page
76.9273.02		09/97	Baugruppe	Unité	Unità	Unit	3
BON			Dampferzeuger	générateur de vapeur	generatore di vapore	steam generator	

Pos. 2	Heizelement	chauffage	riscaldamento	heating element	
	+F = mit Fühlerrohr	+F = avec tuyau de sonde	+F = con tubo di sensore	+F = with sensor tube	
	BON-040E	BON-060E	BON-080E	BON-100E	BON-150E
200V	3x 76.3027.01	3x 76.3027.01	3x 76.3028.01	3x 76.3028.01	3x 76.3029.01
200V + F	1x 76.3027.02	1x 76.3027.02	1x 76.3028.02	1x 76.3028.02	1x 76.3029.02
230V, 400V	3x 76.3027.03	3x 76.3027.03	3x 76.3028.03	3x 76.3028.03	3x 76.3029.03
230V, 400V + F	1x 76.3027.04	1x 76.3027.04	1x 76.3028.04	1x 76.3028.04	1x 76.3029.04
415V	3x 76.3027.05	3x 76.3027.05	3x 76.3028.05	3x 76.3028.05	3x 76.3029.05
415V + F	1x 76.3027.06	1x 76.3027.06	1x 76.3028.06	1x 76.3028.06	1x 76.3029.06
440V	3x 76.3027.07	3x 76.3027.07	3x 76.3028.07	3x 76.3028.07	3x 76.3029.07
440V + F	1x 76.3027.08	1x 76.3027.08	1x 76.3028.08	1x 76.3028.08	1x 76.3029.08



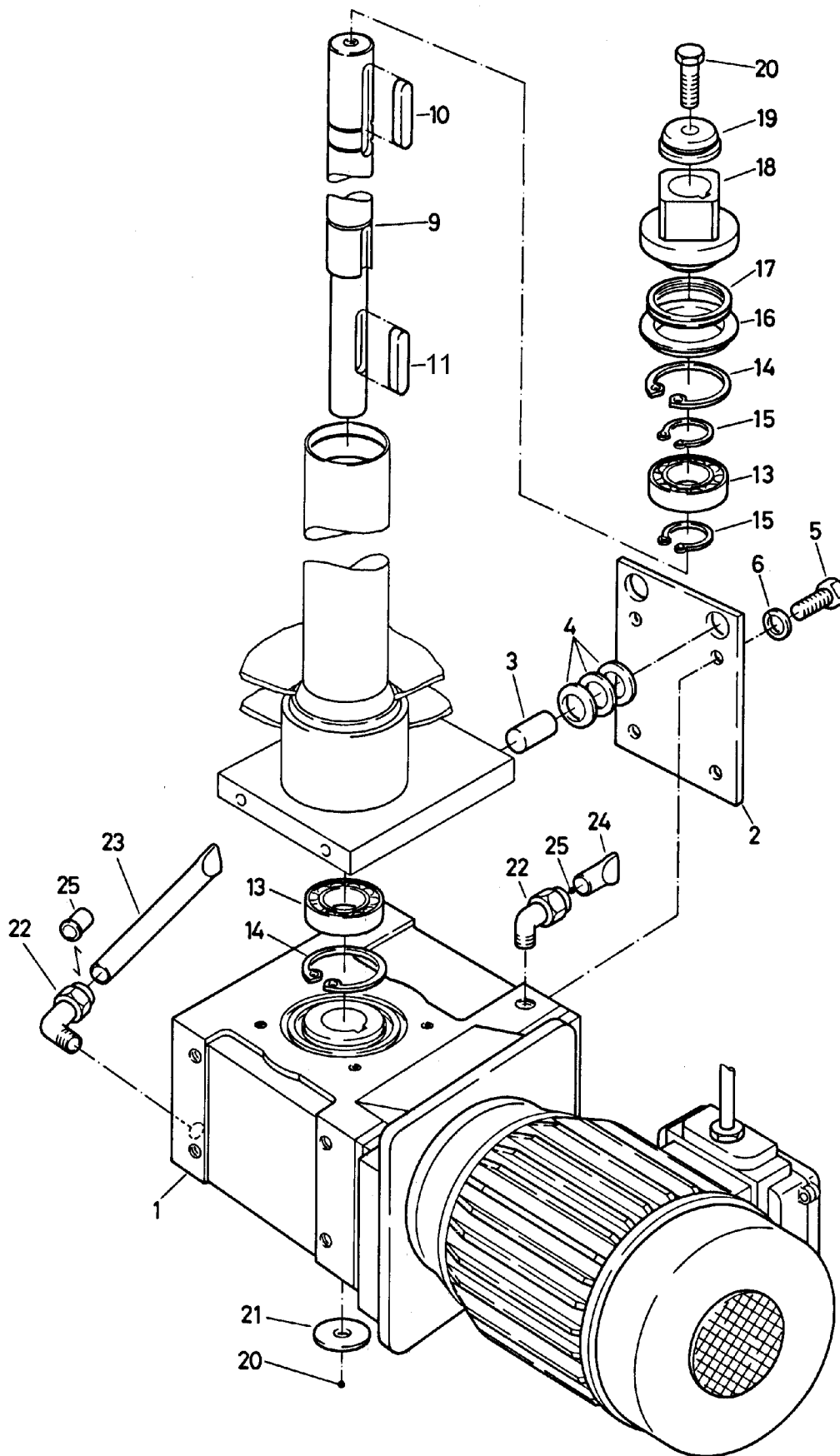
Doc. No.	Index	Issue	DE	FR	IT	GB	Seite/ Page/ Pagina/ Page				
76.9273.04		09/97	Baugruppe	Unité	Unità	Unit	1				
BON			Hahn	robinet	rubinetto	tap					

Pos.	Product No.	Service No.	Bezeichnung	Désignation	Designazione	Designation	Type	BON	BEN	PEN	Introduction
1a	70.0493	1900 3246	Hahn	robinet	rubinetto	tap		1			09/97
	70.0434	1900 3268	Hahn	robinet	rubinetto	tap			1		09/97
1b	712 344 891	1900 3266	Hahn	robinet	rubinetto	tap				1	09/97
1c	1117 1258		Hahn	robinet	rubinetto	tap			1	1	04/03
2	70.1288.02	1900 3291	Dichtung	joint	guarnizione	sealing	1 ½"	1			12/97
	70.1288.01	1900 3296	Dichtung	joint	guarnizione	sealing	2 "		1	1	12/97
3	70.0693.01		Blech	tôle	lamiera	sheet		1			09/97
	70.0693.02		Blech	tôle	lamiera	sheet			1	1	09/97
4	70.0695.01		Blech	tôle	lamiera	sheet		1			09/97
	70.0695.02		Blech	tôle	lamiera	sheet			1	1	09/97
5	70.0691.XX		Flansch	bride	flangia	flange		2	2	2	09/97
6	1201 1522	1101 9072	Dichtung	joint	guarnizione	sealing		1	1	1	09/97
7	1701 1505		Schraube	vis	vite	screw	M4x10	4	4	4	09/97
8	713 842 019	1900 3373	Bride	bride	brida	shackle		1	1	1	09/97
9	713 042 130	1900 6833	O-Ring	joint torique	anello	o-ring		1	1	1	09/97
10	1701 2583		Schraube	vis	vite	screw	M8x40	1	1	1	09/97
11	1701 5008		Federring	anneau de ressort	anello di molla	spring ring	M8	1	1	1	09/97
12	1701 3044	1101 8573	Mutter	écrou	dado	nut	M8	1	1	1	09/97
13	76.3194		Übergangsstück	pièce de raccordement	pezzo di raccordo	reducing part		1	1	1	04/03
14	1117 1261		Verriegelungs-Einheit	unité de blocage	unita di bloccaggio	blockade kit		1	1	1	04.03
15	1201 2070		O-Ring	joint torique	anello	o-ring		3	3	3	04.03
16	1117 1262		Rosette	rosace	rosetta	rose			1	1	05.03
17	1 101 2192		Dichtung	joint	guarnizione	sealing		1	1	1	ds



Doc. No.	Index	Issue	DE	FR	IT	GB	Seite/ Page/ Pagina/ Page		
76.9273.05		09/97	Baugruppe	Unité	Unità	Unit	1		
BON			Deckel	couvercle	coperchio	lid			

Pos.	Product No.	Service No.	Bezeichnung	Désignation	Designazione	Designation	Type		Introduction
1	70.0749.11		Deckel	couvercle	coperchio	lid	BON 40	1	09/97
	76.4439		Deckel	couvercle	coperchio	lid	BON 60	1	09/97
	70.0749.12		Deckel	couvercle	coperchio	lid	BON 80	1	09/97
	70.0749.13		Deckel	couvercle	coperchio	lid	BON 100	1	09/97
	70.0749.14		Deckel	couvercle	coperchio	lid	BON 150	1	09/97
2	70.0750.02	1900 0768	Gelenk	genouillère	articolazione	joint	BON 40, 60	1	09/97
	70.0750.03	1900 0769	Gelenk	genouillère	articolazione	joint	BON 80, 100	1	09/97
	70.0750.05	1900 0765	Gelenk	genouillère	articolazione	joint	BON 150	1	09/97
3	10 2673	1900 6078	Kugel	boule, sphère	palla	ball		1	09/97
5	1701 3044	1101 8573	Mutter	écrou	dado	nut	M8	2	09/97
6	1701 5008		Federring	anneau de ressort	anello di molla	spring ring	M8	2	09/97
7	1701 3513	1802 5481	Unterlagscheibe	rondelle	rondella	washer	M8	2	09/97
8	70.0764		Winkel	angle	angolo	angle		1	09/97
9	70.0765.01		Blech	tôle	lamiera	sheet		1	09/97
10	1701 1504		Schraube	vis	vite	screw	M4x8	2	09/97
11	1701 2541		Schraube	vis	vite	screw	M10x25	2	09/97

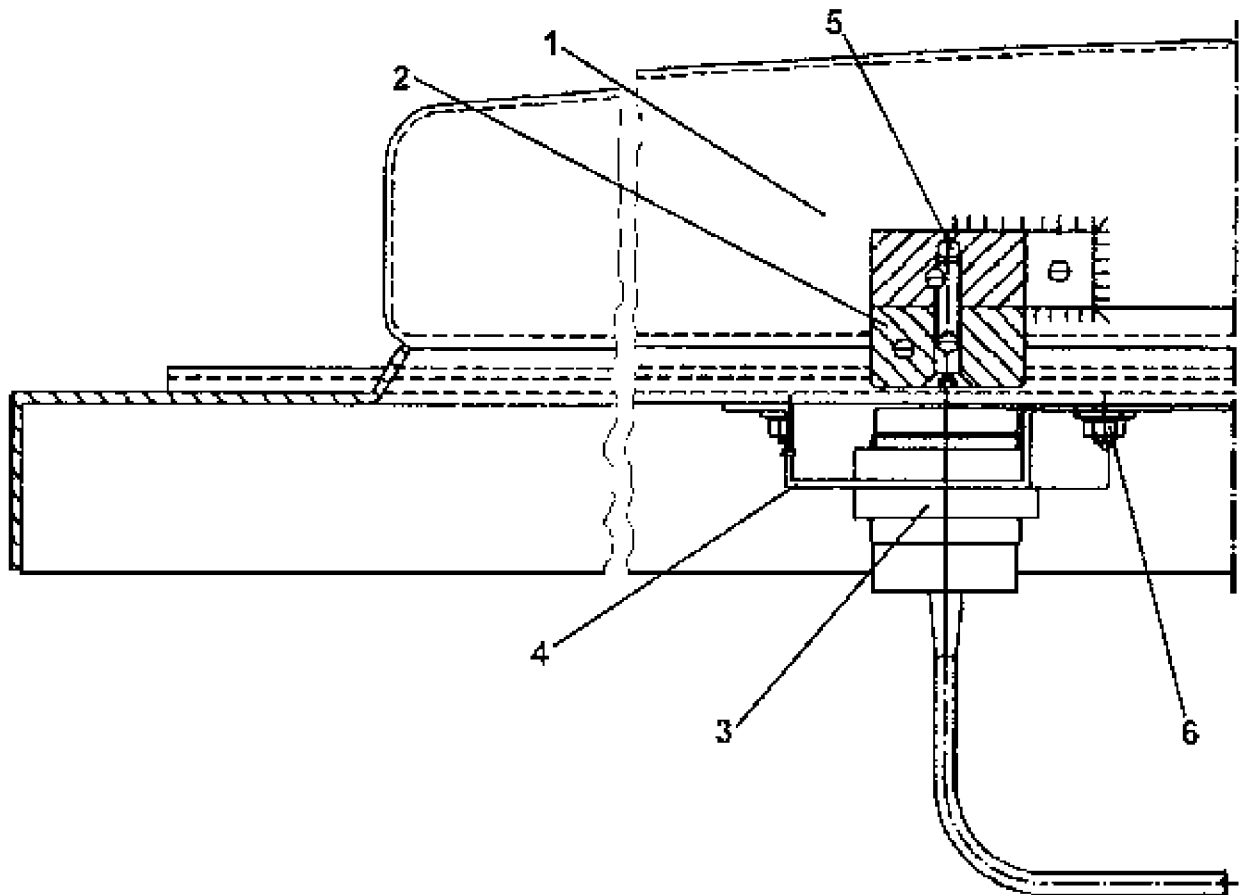


Doc. No.	Index	Issue	DE	FR	IT	GB	Seite/ Page/ Pagina/ Page		
76.9273.12		09/97	Baugruppe	Unité	Unità	Unit	1/2		
BON			Rührwerk	melangeur	mescolatore	stirring system	Neue Version / new version: 2/2		

Pos.	Product No.	Service No.	Bezeichnung	Désignation	Designazione	Designation	Type	40-150 L	Introduction
1	76.3046	1800 1118	Motor	moteur	motore	motor	0.25 kW, 400V	1	
2	76.4179		Platte	plaque	piastra	plate		2	
3	1701 7095		Stift	broche	spina	pivot	Ø8x25	4	
4	1 201 1931	1900 6965	Tellerfeder	rondelle belleville	molla piatta	bowl spring	Ø20x8.2x0.9	12	
5	1 701 2525		Schraube	vis	vite	screw	M8x16	8	
6	1 701 5008		Federring	anneau de ressort	anello di molla	spring ring	M8	8	
9	76.4110.02		Welle	axe	albero	shaft	BON040	1	
	76.4110.03		Welle	axe	albero	shaft	BON060	1	
	76.4110.04		Welle	axe	albero	shaft	BON080	1	
	76.4110.05		Welle	axe	albero	shaft	BON100	1	
	76.4110.06		Welle	axe	albero	shaft	BON100 (800)	1	
	76.4110.07		Welle	axe	albero	shaft	BON150	1	
10	70.0820.04		Keil	clavette	cuneo	wedge		1	
11	70.0820.02		Keil	clavette	cuneo	wedge		1	
13	70.0808.03	1900 0796	Lager	palier	cuscinetto	bearing		2	
14	70.0809.03		Seegerring	rondelle Seeger	anello	seeger circlip ring	Ø55	2	
15	70.0810.02		Seegerring	rondelle Seeger	anello	seeger circlip ring	Ø30	2	
16	76.4010		Dichtung	joint	guarnizione	washer		1	08/01
17	1201 1933		Dichtung	joint	guarnizione	washer		1	
18	76.4009	1900 6971	Kopf	tête	testa	head		1	
19	76.4008	1900 6972	Deckel	couvercle	coperchio	lid		1	
20	1701 2570	1900 6973	Schraube	vis	vite	screw	M8x20	2	
21	76.3032		Scheibe	disque	disco	disk	Ø40x8.5x3	1	
22	1101 2137		Winkel	angle	angolo	angle		2	
23	76.4325.02		Rohr	tuyau	tubo	tube	120mm	1	
24	76.4325.01		Rohr	tuyau	tubo	tube	40mm	1	
25	1101 3747		Hülse	douille	guscio	sleeve		2	
	1201 1547		Loctite 243					x	
	1201 1937		Fett	graisse	grasso	fat	Klüber UHT 84-201	x	

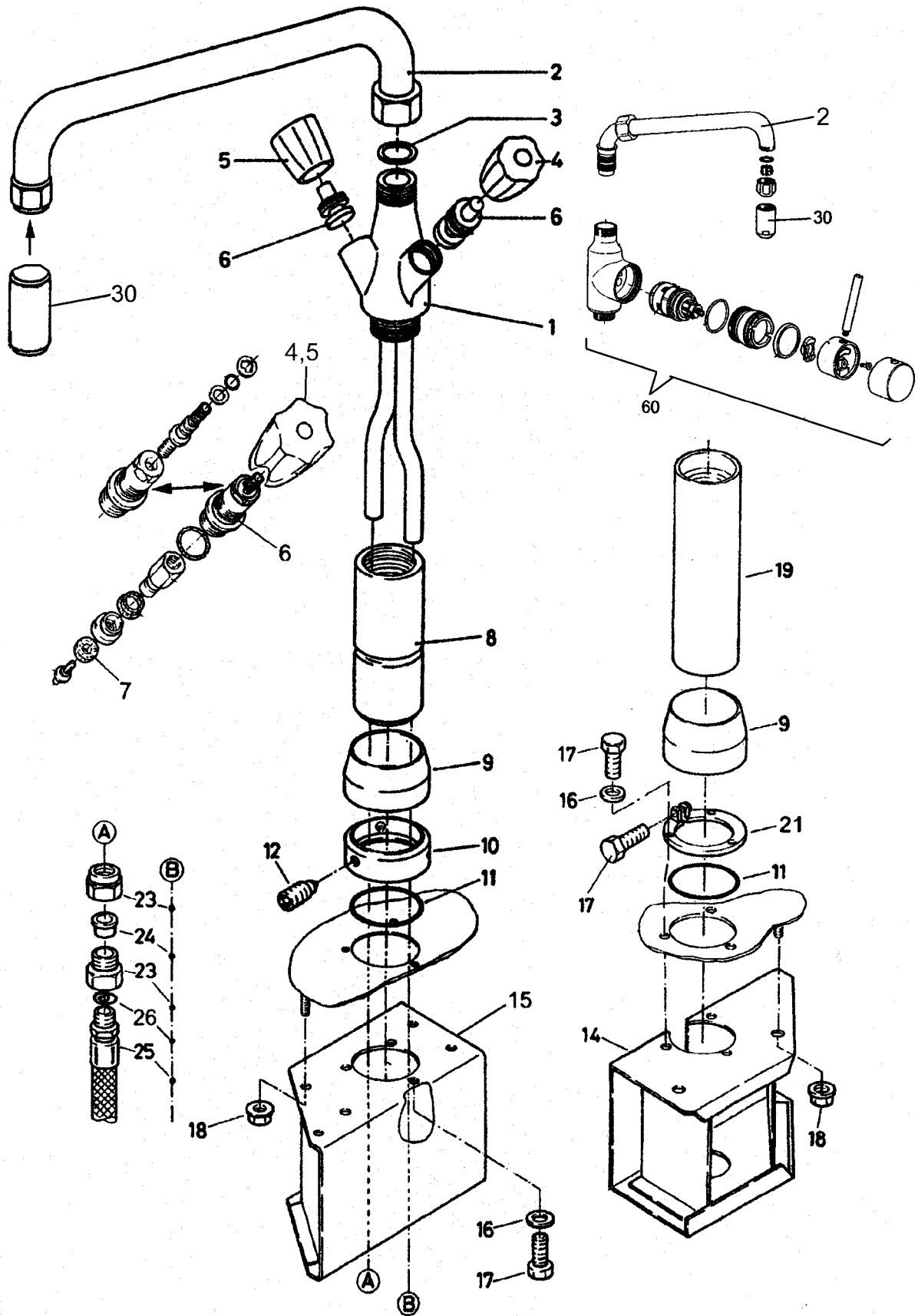
Doc. No.	Index	Issue	DE	FR	IT	GB	Seite/ Page/ Pagina/ Page			
76.9273.12		07/03	Baugruppe	Unité	Unità	Unit	2/2			
BON			Rührwerk	melangeur	mescolatore	stirring system				

Pos.	Product No.	Service No.	Bezeichnung	Désignation	Designazione	Designation	Type	40-80 L	100-150 L	Introduction
1	76.3046.01	1800 1118	Motor	moteur	motore	motor	0.25 kW, 230,400,415/50;440/60V	1		07/03
	76.3046.02		Motor	moteur	motore	motor	0.25 kW, 230,400/60V	1		07/03
	76.3046.03		Motor	moteur	motore	motor	0.25 kW, 440/50V	1		07/03
	76.3046.04		Motor	moteur	motore	motor	0.25 kW, 200/50V	1		07/03
	76.3046.05		Motor	moteur	motore	motor	0.25 kW, 200/60V	1		07/03
	76.3047.01	1800 1119	Motor	moteur	motore	motor	0.37 kW, 230,400,415/50;440/60V		1	07/03
	76.3047.02		Motor	moteur	motore	motor	0.37 kW, 230,400/60V		1	07/03
	76.3047.03		Motor	moteur	motore	motor	0.37 kW, 440/50V		1	07/03
	76.3047.04		Motor	moteur	motore	motor	0.37 kW, 200/50V		1	07/03
	76.3047.05		Motor	moteur	motore	motor	0.37 kW, 200/60V		1	07/03
2	76.4179		Platte	plaque	piastra	plate		2		
	76.4205		Platte	plaque	piastra	plate			2	
3	1701 7095		Stift	broche	spina	pivot	Ø8x25	4		
	1701 7096		Stift	broche	spina	pivot	Ø10x25		4	
4	1201 1931	1900 6965	Tellerfeder	rondelle belleville	molla piatta	bowl spring	Ø20x8.2x0.9	12		
	1201 1932	1900 6966	Tellerfeder	rondelle belleville	molla piatta	bowl spring	Ø20x10.2x1		12	
5	1701 2525		Schraube	vis	vite	screw	M8x16	8		
	1701 2578		Schraube	vis	vite	screw	M10x16		8	
6	1701 5008		Federring	anneau de ressort	anello di molla	spring ring	M8	8		
	1701 5040		Federring	anneau de ressort	anello di molla	spring ring	M10		8	
9	76.4669.02		Welle	axe	albero	shaft	BON040	1		
	76.4669.03		Welle	axe	albero	shaft	BON060	1		
	76.4669.04		Welle	axe	albero	shaft	BON080	1		
	76.4669.05		Welle	axe	albero	shaft	BON100		1	
	76.4669.06		Welle	axe	albero	shaft	BON100 (800)		1	
	76.4669.07		Welle	axe	albero	shaft	BON150		1	



Doc. No.	Index	Issue	DE	FR	IT	GB	Seite/ Page/ Pagina/ Page			
76.9273.14		15/01	Baugruppe	Unité	Unità	Unit	1/1			
BON			Deckelendschalter	interrupt. fin de course	interruttore fine corsa	limit switch				

Pos.	Product No.	Service No.	Bezeichnung	Désignation	Designazione	Designation	Type	40	60	80	100	100/ 900	150	Introduction
1	76.4439.11		Deckel	couvercle	coperchio	lid		1	1					10/01
	70.0751.12		Deckel	couvercle	coperchio	lid				1				10/01
	70.0751.13		Deckel	couvercle	coperchio	lid					1			10/01
	70.0751.14		Deckel	couvercle	coperchio	lid							1	10/01
2	76.9345.02		Magneteinsatz	garniture d'aimant	inserto di magnete	magnet insert			1	1	1	1	1	07/01
3	76.9345.01		Schutzschalter	interrupteur sécurité	interruttore sicurezza	protection switch			1	1	1	1	1	07/01
	76.9345.03		Schutzschalter	interrupteur sécurité	interruttore sicurezza	protection switch			1	1	1	1	1	10/01
4	76.4597		Halter	fixation	sostegno	support			1	1	1	1	1	07/01
5	1701 1072		Senkschraube	pour armoire	per armadio	screw	M5x25		1	1	1	1	1	07/01
6	712 044120.04		Mutter	écrou	dado	nut	Keps M4		2	2	2	2	2	07/01
	76.3139		Folie	pellicule	lamina	foil			1	1	1	1	(1)	07/01
	76.3140		Folie	pellicule	lamina	foil			1	1	1	1	(1)	07/01

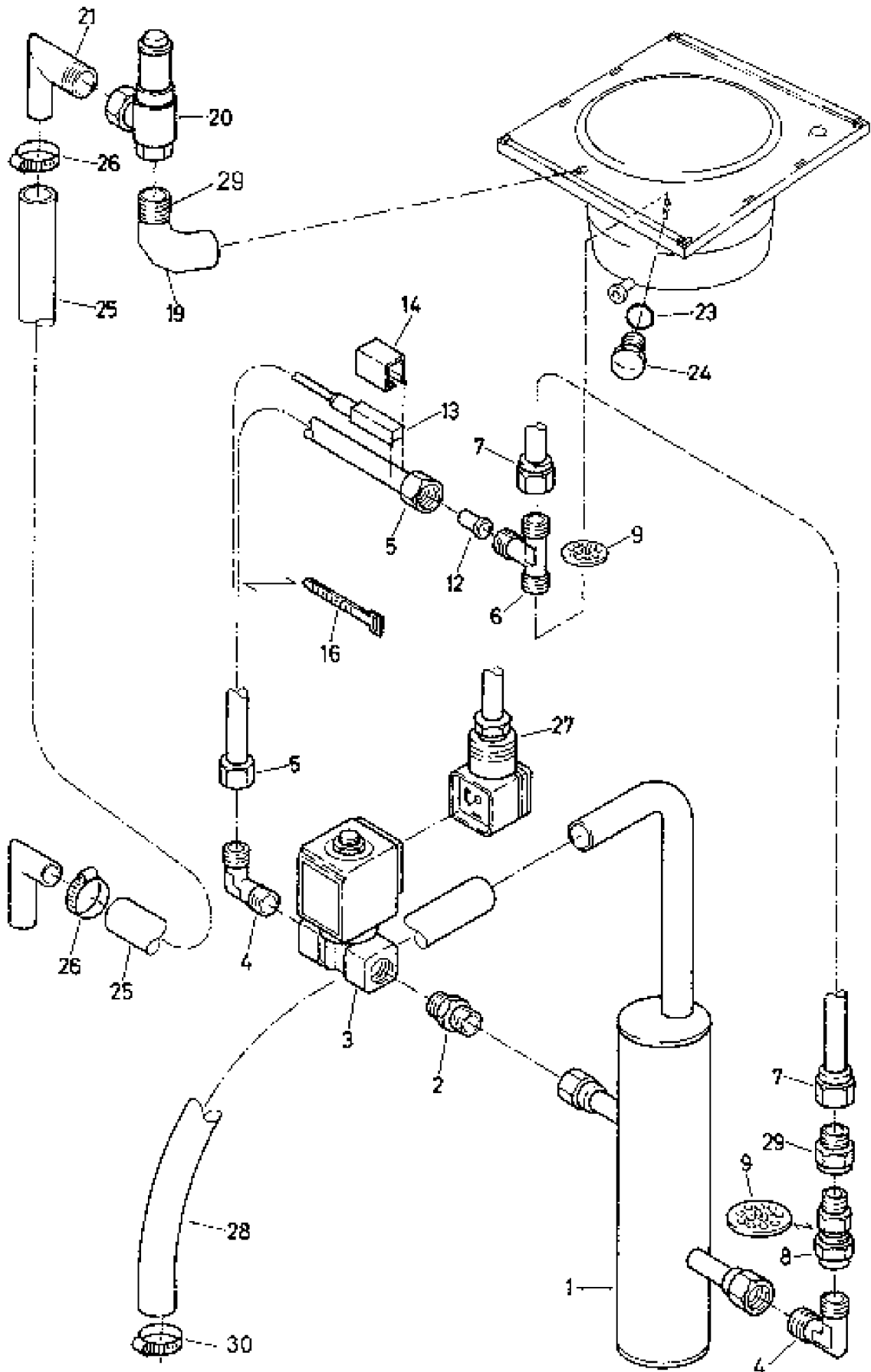


Doc. No.	Index	Issue	DE	FR	IT	GB	Seite/ Page/ Pagina/ Page					
76.9273.17		09/97	Baugruppe	Unité	Unità	Unit	1					
BON			Mischbatterie	mitigeur	batteria	mixing unit						

Pos.	Product No.	Service No.	Bezeichnung	Désignation	Designazione	Designation	Type						Introduction
1	712 344 884.01	1900 3024	Mischbatterie komplett	batterie mélangeuse complet	batteria completo	mixing unit complete						1	09/97
2	712 344 884.02	1900 3119	Schwenkrohr	tuyau pivotant	tubo orientabile	swivel tube	300mm					1	09/97
	712 344 884.04	1900 3119	Schwenkrohr	tuyau pivotant	tubo orientabile	swivel tube	600mm						09/97
	712 344 884.03		Schwenkrohr	tuyau pivotant	tubo orientabile	swivel tube	450mm						09/97
3		1900 6781	Dichtung	joint	guarnizione	sealing						1	09/97
4		1900 6143	Griff blau	poignée bleu	manetta blu	knob blue	black					1	09/97
		KWC Z503.009.000	Griff blau	poignée bleu	manetta blu	knob blue	metallic					1	02/01
5		1900 6144	Griff rot	poignée rouge	manetta rosso	knob red	black					1	09/97
		KWC Z503.008.000	Griff rot	poignée rouge	manetta rosso	knob red	metallic					1	02/01
6		1900 3084	Ventileinsatz komplett	mécanisme de valve complet	femmina dell'animella completo	valve core complete						2	09/97
7		1900 6730	Dichtung	joint	guarnizione	sealing						2	09/97
8	72.0318.03		Standrohr	tuyau de vidange	tubo verticale	standing pipe	160mm					1	09/97
9	72.0435		Abdeckung	couvercle	copertura	cover						1	09/97
10	72.0450		Haltering	anneau de fixation	anello di sostegno	retaining ring						1	09/97
11	712 044 480.14		O-Ring	joint torique	anello	o-ring	2/53/57					1	09/97
12	1701 5524	1900 6959	Schraube	vis	vite	screw	M8x12					3	09/97
15	76.0117		Konsole	console	mensola	console						1	09/97
16	1701 5004		Federring	anneau de ressort	anello di molla	spring ring	M5					3	09/97
17	1701 2632		Schraube	vis	vite	screw	M4x16					3	09/97
18	712 044 120.05	1101 8576	Mutter	écrou	dado	nut	M5					4	09/97

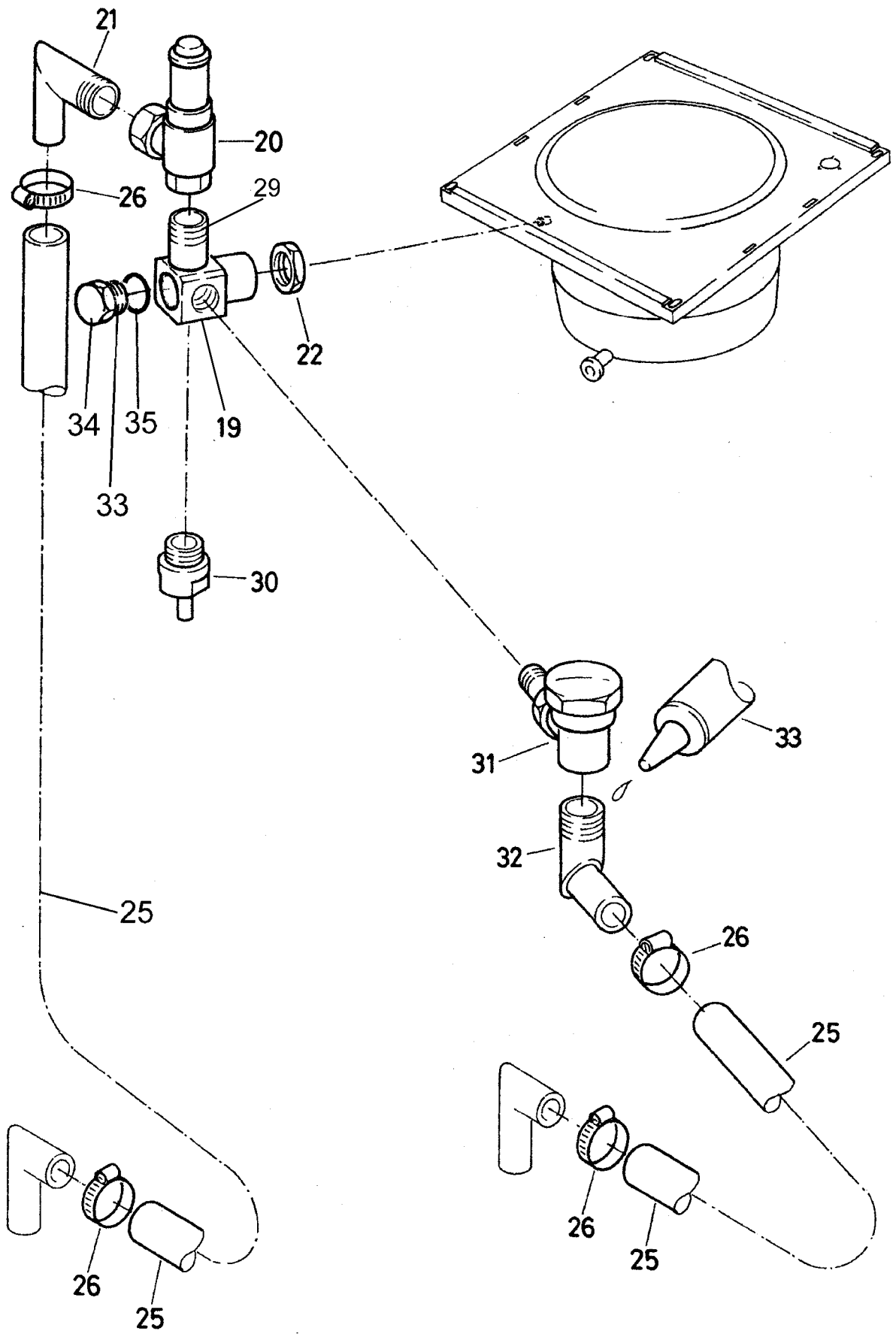
Doc. No.	Index	Issue	DE	FR	IT	GB	Seite/ Page/ Pagina/ Page					
76.9273.17			Baugruppe	Unité	Unità	Unit	2					
BON			Mischbatterie	mitigeur	batteria	mixing unit						

Pos.	Product No.	Service No.	Bezeichnung	Désignation	Designazione	Designation	Type							Introduction
23	1101 3795		Nippel	mamelon	raccordo	nipple	1/2"						2	09/97
24	1101 3797	1900 6958	Hülse	douille	guscio	sleeve							2	09/97
25	712 344 893.02	1900 3189	Schlauch	tuyau flexible	tubo flessibile	hose							2	09/97
26	712 044 481.21		Dichtung	joint	guarnizione	washer							2	09/97
14	76.4981		Konsole	console	mensola	console							1	09/99
19	76.5976.03		Standrohr	tuyau de vidange	tubo verticale	standing pipe	160mm						1	09/99
21	76.5919		Haltering	anneau de fixation	anello di sostegno	retaining ring							1	09/99
30	1105 1251		Tropfverhinderer	anti gouttes	antigocce	drip stop							1	03/00
60	712 344 884.05		Hebelmischer komplett	mitigeur à levier complet	miscelatori a leva completo	mixer unit with lever complete							1	1999



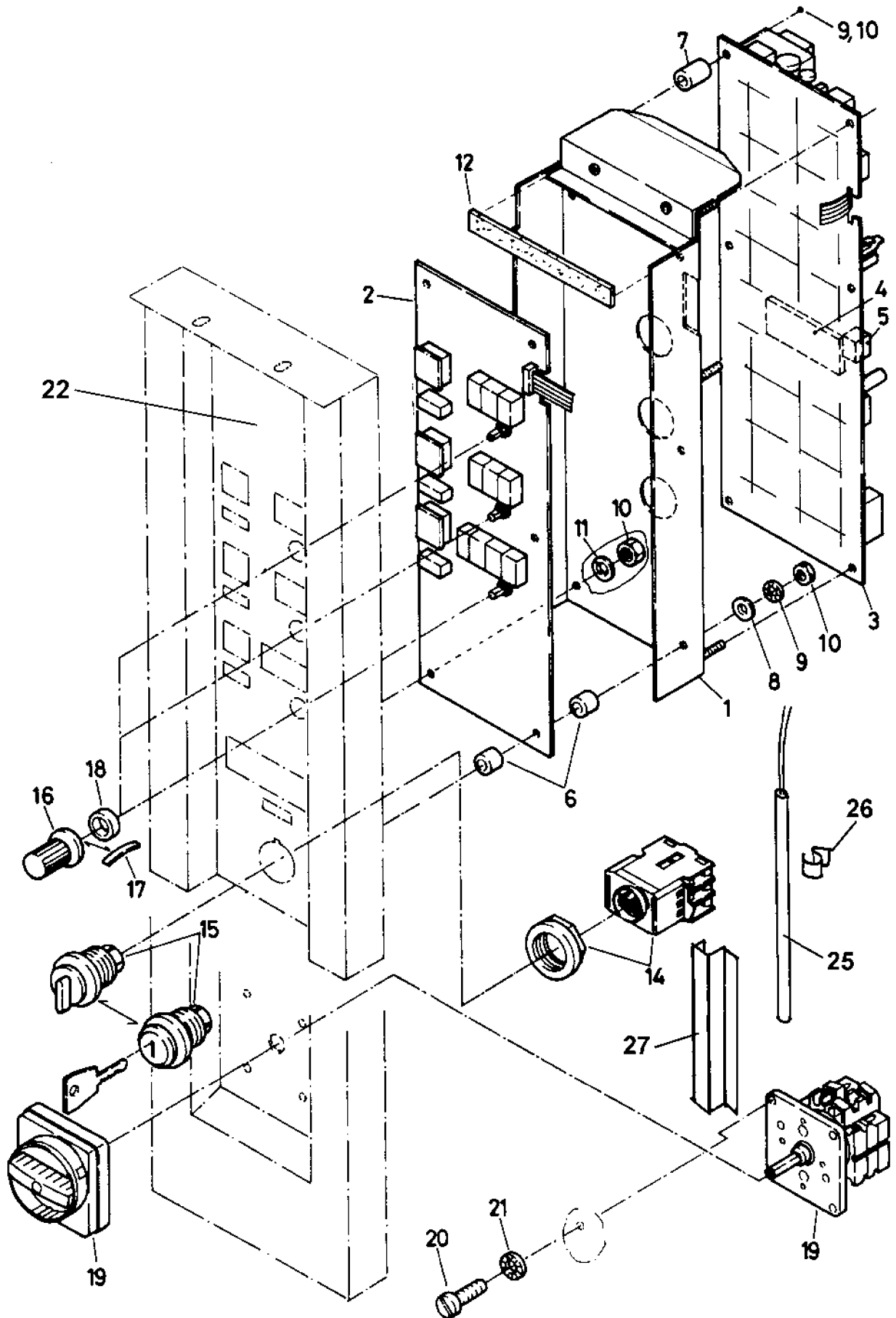
Doc. No.	Index	Issue	DE	FR	IT	GB	Seite/ Page/ Pagina/ Page		
76.9273.18		09/97	Baugruppe	Unité	Unità	Unit	1		
BON-E,H			Entlüftung	deaération	deaereazione	deaeration			

Pos.	Product No.	Service No.	Bezeichnung	Désignation	Designazione	Designation	Type		Introduction
	76.5263		Entlüftung komplett	deaération complet	deaereazione completo	deaeration complete		1	09/97
1	76.4270.01		Kondensator	condenseur	condensatore	condenser		1	09/97
2	1101 3901		Nippel	mamelon	raccordo	nipple		1	09/97
3	76.3035	1900 2497	Solenoidventil	vanne solénoïde	elettrovalvola	solenoid valve		1	09/97
4	1101 3757		Winkel	angle	angolo	angle		2	09/97
5	76.5264.02		Leitung	conduite	conduttura	conduit		1	09/97
6	1101 3892		Verschraubung	vissage	collegamento	screwing		1	09/97
7	76.5264.01		Leitung	conduite	conduttura	conduit		1	09/97
8	1101 2136	1900 2495	Rückschlagventil	soupape anti-retour	valvola antiritorno	check valve		1	09/97
9	76.3061	1900 6974	Filter	filtre	filtro	filter		2	09/97
11	1201 1510		Paste	pâte	pasta	paste		1	09/97
12	1101 3747		Hülse	douille	guscio	sleeve		1	09/97
13	76.3062	1802 5575	Fühler	sonde	sensore	sensor		1	09/97
	76.3064		Paste	pâte	pasta	paste		1	09/97
14	76.3063	1802 5576	Klammer	crampon	grappa	clamp		1	09/97
16	1115 1235		Kabelbride	bride pour câble	brida di cavo	cable clamp		3	09/97
19	12.5021		Winkel	angle	angolo	angle	1/2"	1	09/97
20	75.7000.02	1900 2496	Sicherheitsventil	soupape de sécurité	valvola di sicurezza	safety valve		1	09/97
	76.4462	1900 2496	Sicherheitsventil	soupape de sécurité	valvola di sicurezza	safety valve		1	05/99
21	712 344 868.04		Winkel	angle	angolo	angle		1	09/97
23	1101 2157		Ring	anneau	anello	ring		1	09/98
			Loctite 577					1	09/98
24	1117 1239		Stopfen	bouchon	tappo	plug		1	09/97
24a	712 344 853.08		Stopfen	bouchon	tappo	plug	3/4"	1	03/99
25	1115 1417	1901 6160	Schlauch	tuyau flexible	tubo flessibile	hose		1	09/97
26	1103 1170		Bride	bride	brida	shackle		2	09/97
27	76.4935	1800 5648	Stecker	fiche	spina	plug		1	09/97
27a	76.9193.02		Kabel	câble	cavo	cable		1	09/97
28	12.9043	1900 3185	Schlauch	tuyau flexible	tubo flessibile	hose	Ø14/10x600	1	09/97
29	21 775		Teflonband	ruban en téflon	nastro di teflon	teflon band		1	09/00
30	12.9924		Bride	bride	brida	shackle		1	42. week 2005



Doc. No.	Index	Issue	DE	FR	IT	GB	Seite/ Page/ Pagina/ Page		
76.9273.19		09/97	Baugruppe	Unité	Unità	Unit	1		
BON-S			Entlüftung dampfbeheizt	deaération chauffage à vapeur	deaereazione riscaldato a vapore	deaeration steam heated			

Pos.	Product No.	Service No.	Bezeichnung	Désignation	Designazione	Designation	Type		Introduction
	76.44440		Entlüftung komplett	deaération complet	deaereazione completo	deaeration complete		1	09/97
19	76.4358		Winkel	angle	angolo	angle		1	09/97
20	75.7000.02	1900 2496	Sicherheitsventil	soupape de sécurité	valvola di sicurezza	safety valve		1	09/97
	76.4462	1900 2496	Sicherheitsventil	soupape de sécurité	valvola di sicurezza	safety valve		1	05/99
21	76.4365		Winkel	angle	angolo	angle		1	09/97
22	712 344 858.23		Mutter	écrou	dado	nut		1	09/97
25	1115 1417	1901 6160	Schlauch	tuyau flexible	tubo flessibile	hose		2	09/97
26	1103 1170		Bride	bride	brida	shackle		4	09/97
29	21 775		Teflonband	ruban en téflon	nastro di teflon	teflon band		1	09/00
30	12 7296		Belüfter	aérateur	aereatore	aerator		1	09/97
31	712 344 882	1900 3281	Entlüfter	deaérateur	deaereatore	deaerator	roh	1	09/97
	1201 2065		Entlüfter	deaérateur	deaereatore	deaerator	verchromt	1	09/97
	Spirax 030.150.01		Membran-Element	membrane élément	membrana elemento	membrane element	13°C		
	Spirax 030.150.03		Membran-Element	membrane élément	membrana elemento	membrane element	6°C		
32	76.4365		Winkelverschraubung	raccord d'angle vissé	collegamento d'angolo	angular fitting		1	09/97
33	1201 1813		Loctite 577					1	09/97
34	1117 1239		Stopfen	bouchon	tappo	plug		1	03/99
35	1101 2157		Dichtung	joint	guarnizione	sealing		1	03/99

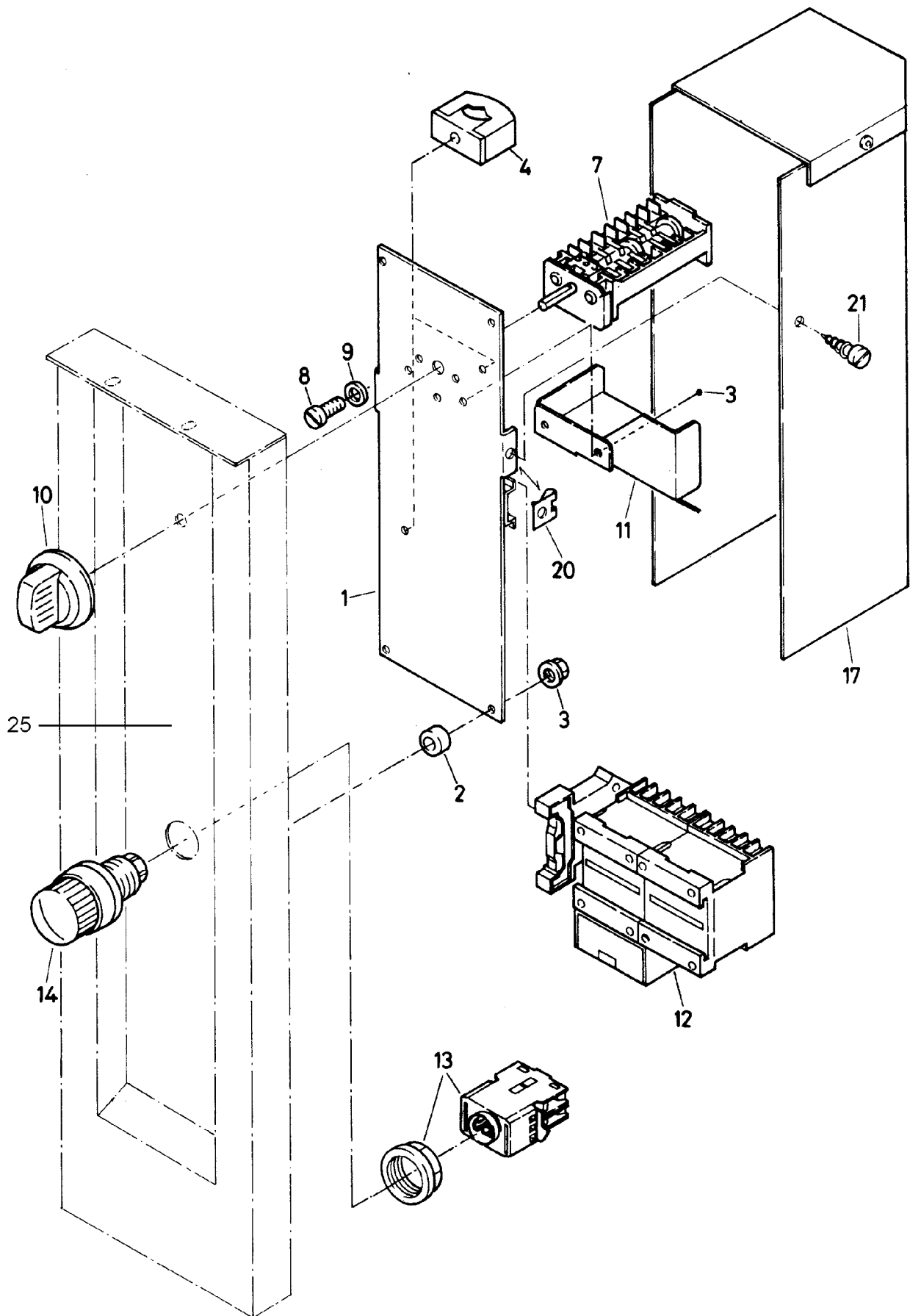


Doc. No.	Index	Issue	DE	FR	IT	GB	Seite/ Page/ Pagina/ Page			
76.9273.22		09/97	Baugruppe	Unité	Unità	Unit	1			
BON			Schalterfront Steuerung	panneau de commande commande	pannello di comando comando	switch panel control system				

Pos.	Product No.	Service No.	Bezeichnung	Désignation	Designazione	Designation	Type		Introduc-tion	
1	76.9039		Blech	tôle	lamiera	sheet		1	09/97	
2	76.9110	1802 5566	Bedienungsprint	plaque imprimé/service	print di servizio	operating print	E1	E1/Process Comfort	1	09/97
	76.9111	1802 5565	Bedienungsprint	plaque imprimé/service	print di servizio	operating print	E2	E2/Comfort	1	09/97
	76.9416		Bedienungsprint	plaque imprimé/service	print di servizio	operating print	E3	E3/Chilltherm	1	12/01
3	76.9006	1802 5567	Steuerprint	plaque imprimé/contrôl	print di comando	control circuit board			1	09/97
	76.9415		Steuerprint	plaque imprimé/contrôl	print di comando	control circuit board		Chilltherm	1	12/01
4	76.9176.02		Prozessor	processeur	processore	processor		BPTH2.62	1	09/97
								BPTH5.06	1	11/99
								BPTH5.10 Chilltherm	1	12/01
5	76.9180		Speicher	EEPROM	EEPROM	EEPROM			1	09/97
6	76.3011.01		Distanzhülse	douille de distance	guscio di distanza	spacer sleeve	8mm		12	09/97
7	76.3011.03		Distanzhülse	douille de distance	guscio di distanza	spacer sleeve	12mm		5	09/97
8	1701 3502		Unterlagscheibe	rondelle	rondella	washer	Ø4.3x9		12	09/97
9	1701 7060		Scheibe	disque	disco	disk	M4		12	09/97
10	1701 3004		Mutter	écrou	dado	nut	M4		15	09/97
11	1701 5002		Federring	anneau de ressort	anello di molla	spring ring	M4		1	09/97
12	1201 1522	1101 9072	Dichtung	joint	guarnizione	sealing			1	09/97
14	76.9108.01	1802 5577	Schalter	interrupteur	interruttore	switch			1	09/97
15	76.9075.01	1802 5568	Knopf/normal	bouton/normale	manopola/normale	knob/normal			1	09/97
	76.9075.02		Knopf/Schlüssel	bouton/clé	manopola/chiave	knob/key			1	09/97
16	76.9010	1900 6975	Griff	poignée	manetta	knob			3	09/97
17	76.9130	1900 6976	Feder	ressort	molla	spring			3	09/97
18	1201 1910	1900 6977	Dichtung	joint	guarnizione	sealing			3	09/97
16- 18	76.9036	1900 6963	Griff komplett	poignée complet	manetta completo	knob complete			3	09/97
19	76.9164.01	1800 5649	Schalter	interrupteur	interruttore	switch	20A		1	09/97
	76.9164.02	1800 5650	Schalter	interrupteur	interruttore	switch	40A		1	09/97
	76.9164.03	1800 5651	Schalter	interrupteur	interruttore	switch	80A		1	09/97
	76.9164.04		Schalter	interrupteur	interruttore	switch	115A		1	09/97
20	1701 2026		Schraube	vis	vite	screw	M4x20		4	09/97
	1701 2039		Schraube	vis	vite	screw	M5x20		4	09/97
21	1701 7060		Scheibe	disque	disco	disk	M4		4	09/97
	1701 7002		Scheibe	disque	disco	disk	M5		4	09/97

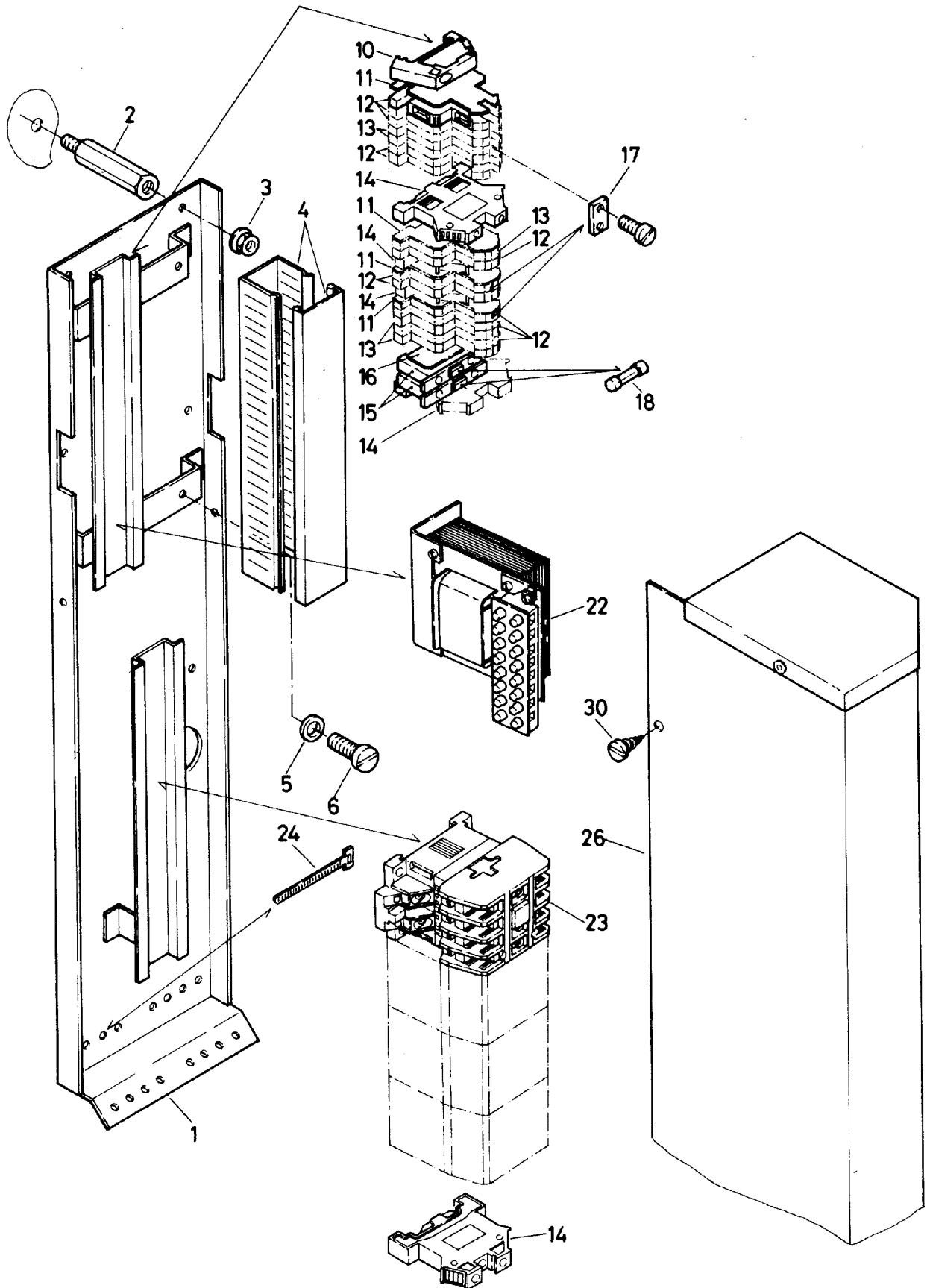
Doc. No.	Index	Issue	DE	FR	IT	GB	Seite/ Page/ Pagina/ Page		
76.9273.22		09/97	Baugruppe	Unité	Unità	Unit	2		
BON			Schalterfront Steuerung	panneau de commande commande	pannello di comando comando	switch panel control system			

Pos.	Product No.	Service No.	Bezeichnung	Désignation	Designazione	Designation	Type		Introduc-tion
22	76.3020		Folie	pellicule	placca	foil		Therma Comfort	1 09/97
	76.3022		Folie	pellicule	placca	foil		Therma Prozess Comfort	1 09/97
	76.3116		Folie	pellicule	placca	foil	BON-E	Therma Prozess Comfort HACCP	1 09/98
	76.3154		Folie	pellicule	placca	foil	BON-E	Electrolux Prozess Comfort HACCP	1 09/00
	76.3189		Folie	pellicule	placca	foil	BON-E	Electrolux Chilltherm	1 12/01
	76.3117		Folie	pellicule	placca	foil	BON-S	Therma Prozess Comfort HACCP	1 09/98
	76.3155		Folie	pellicule	placca	foil	BON-S	Electrolux Prozess Comfort HACCP	1 09/00
	76.3721		Folie	pellicule	placca	foil	BON-S	Electrolux Prozess Comfort HACCP	1 46.week 05
	76.3190		Folie	pellicule	placca	foil	BON-S	Electrolux Chilltherm	1 12/01
	76.3077		Folie Handsteuerung	pellicule commande manuelle	placca regolazione a mano	foil manual control		Therma	1 09/97
	76.3156		Folie Handsteuerung	pellicule commande manuelle	placca regolazione a mano	foil manual control		Electrolux	1 09/00
	76.3050		Folie	pellicule	placca	foil		Salvis Comfort	1 09/97
	76.3051		Folie	pellicule	placca	foil		Salvis Prozess Comfort	1 09/97
	76.3120		Folie	pellicule	placca	foil	BON-E	Salvis Prozess Comfort HACCP	1 09/98
	76.3214		Folie	pellicule	placca	foil		Salvis Prozess Comfort HACCP instead of 76.3120	1 04/04
	76.3098		Folie	pellicule	placca	foil		Franke Comfort	1 09/97
	76.3099		Folie	pellicule	placca	foil		Franke Prozess Comfort	1 09/97
	76.3124		Folie	pellicule	placca	foil	BON-E	Franke Prozess Comfort HACCP	1 09/98
25	76.9342		Heizpatrone	résistance de chauffe	resistenza di riscaldamento	heating resistor			1 05/98
26	76.9279	1900 6978	Halter	fixation	sostegno	support			2 05/98
27	76.9336		Haltewinkel	support	supporto	attachement rail			1 05/98



Doc. No.	Index	Issue	DE	FR	IT	GB	Seite/ Page/ Pagina/ Page		
76.9273.23		09/97	Baugruppe	Unité	Unità	Unit	1		
BON			Schaltfront Rührwerk	melangeur	mescolatore	stirring system			

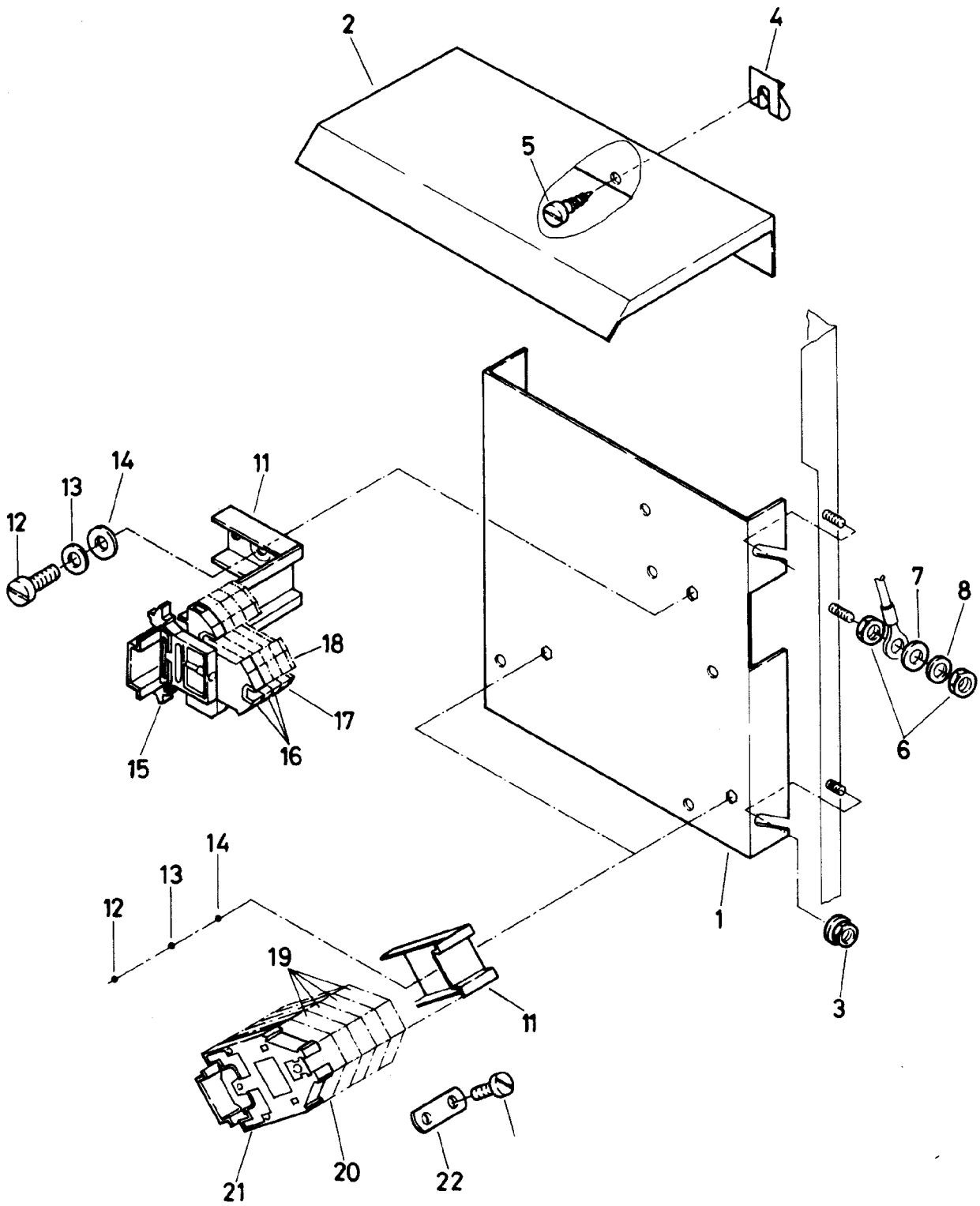
Pos.	Product No.	Service No.	Bezeichnung	Désignation	Designazione	Designation	Type		Introduc- tion
1	76.9008.03		Blech	tôle	lamiera	sheet			1 09/97
	76.9364		Blech	tôle	lamiera	sheet			1 08/99
2	71.0142		Distanzhülse	douille de distance	guscio di distanza	spacer sleeve			4 09/97
3	712 044 120.04	1101 8575	Mutter	écrou	dado	nut	M4		6 09/97
4	1116 1077	1801 5346	Bride	bride	brida	shackle			1 09/97
7	76.9129	1802 5578	Schalter	interrupteur	interruttore	switch			1 09/97
8	1701 2019		Schraube	vis	vite	screw	M4x8		2 09/97
9	1701 7060		Scheibe	disque	disco	disk	M4		2 09/97
10	76.9041	1900 6964	Griff	poignée	manetta	knob			1 09/97
	76.9673		Griff	poignée	manetta	knob			1 49.w 04
11	76.9211		Blech	tôle	lamiera	sheet			1 09/97
12	76.9165.01	1800 1120	Schütz	contacteur	contattore	contactor	0.8A-1.2A	standard	1 09/97
	76.9165.02	1800 1121	Schütz	contacteur	contattore	contactor	1.2A-1.8A		1 09/97
	76.9165.03	1800 1122	Schütz	contacteur	contattore	contactor	1.8A-2.7A		1 09/97
	1201 2069		Loctite 7400						1 05/03
13	76.9108.02	1802 5579	Schalter	interrupteur	interruttore	switch			1 09/97
14	76.9075.03		Knopf	poignée	manetta	knob			1 09/97
17	76.9244		Abdeckung	couvercle	copertura	cover			1 09/97
20	712 044 121.07		Mutter	écrou	dado	nut	Ø4.8		2 09/97
21	1701 7535		Schraube	vis	vite	screw	Ø4.8x9.5		2 09/97
25	76.3016		Folie	pellicule	placca	foil	Therma		1 09/97
	76.3161		Folie	pellicule	placca	foil	Electrolux		1 09/00



Doc. No.	Index	Issue	DE	FR	IT	GB	Seite/ Page/ Pagina/ Page			
76.9273.30		09/97	Baugruppe	Unité	Unità	Unit	1			
BON			Klemmen + Schütze	bornes + contacteurs	morse + contattori	terminals + contactors				

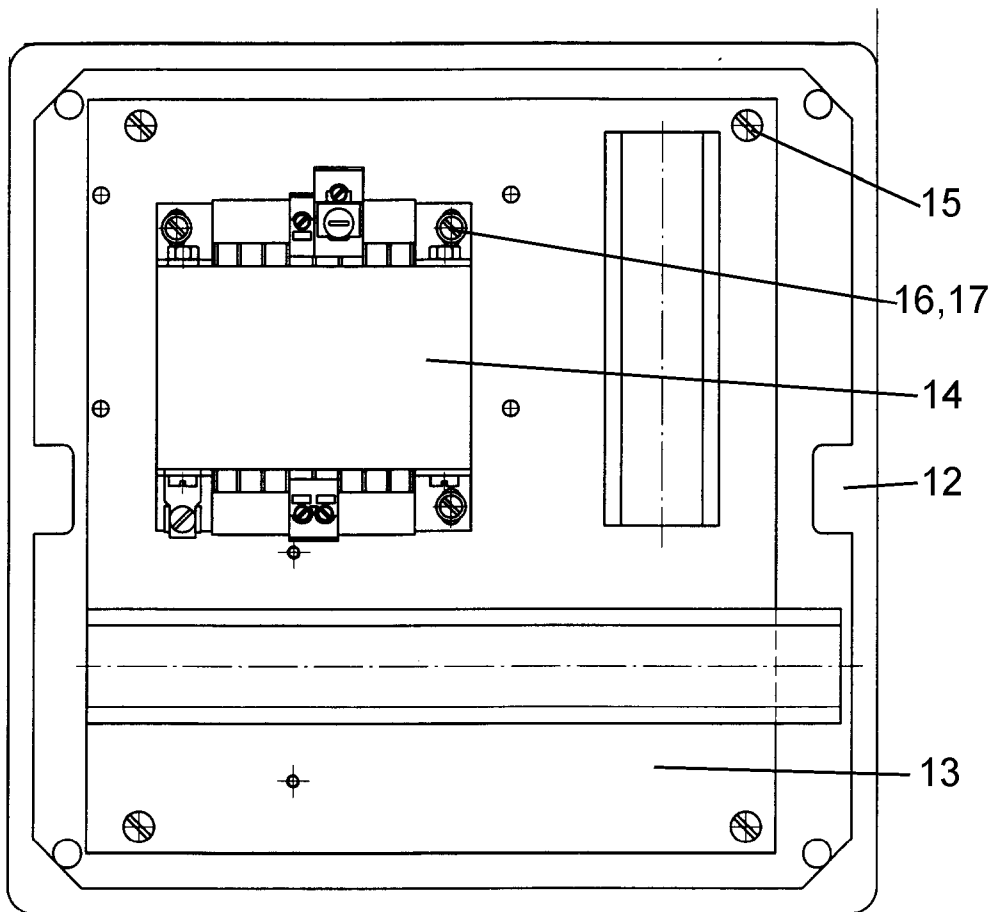
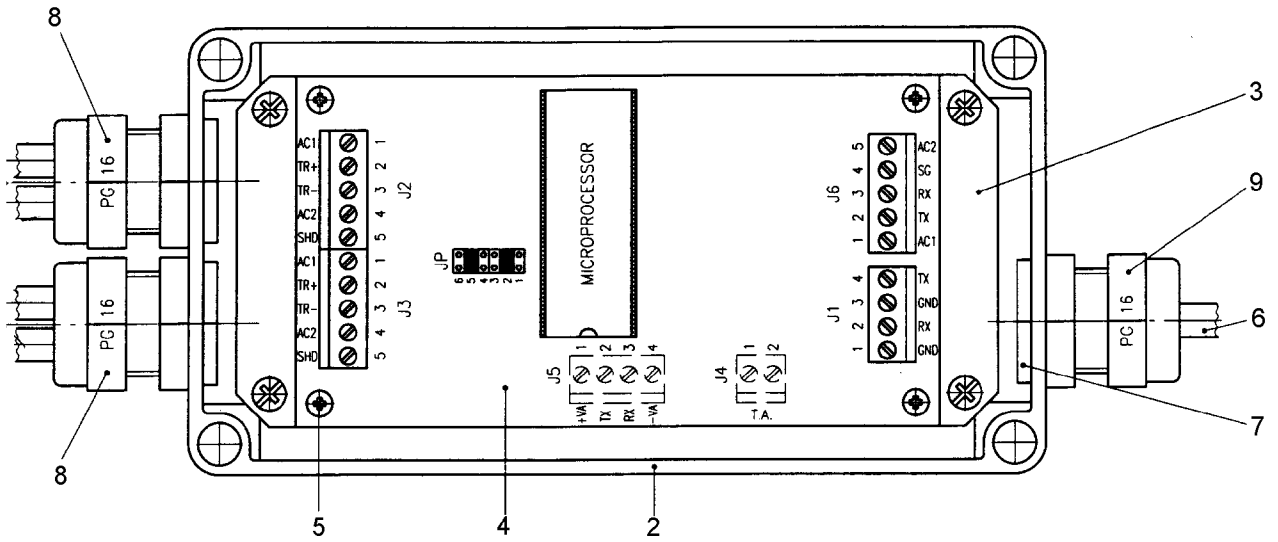
Pos.	Product No.	Service No.	Bezeichnung	Désignation	Designazione	Designation	Type		BON		Introduction
1	76.2046		Halter	fixation	sostegno	support			E/S/H	1	09/97
2	1201 1945		Halter	fixation	sostegno	support			E/S/H	6	09/97
3	712 044 120.04	1101 8575	Mutter	écrou	dado	nut	M4		E/S/H	6	09/97
4	74.0216.02		Kanal	conduit	canale	channel			E/S/H	1	09/97
5	1701 3535		Unterlagscheibe	rondelle	rondella	washer	M5		E/S/H	2	09/97
6	10 3179	1101 8605	Schraube	vis	vite	screw	M5x10		E/S/H	2	09/97
10	75.2013		Arretierstück	piece d'arrête	parte d'arresto	stopper part			E S/H	1 3	09/97
11	75.2010.12		Wand	cloison	parete	wall			E/S/H	4	09/97
12	75.2010.10		Klemme	borne	morsa	terminal			E/S/H	11	09/97
13	75.2010.11		Klemme	borne	morsa	terminal			E/S/H	5	09/97
14	75.2011.01		Klemme	borne	morsa	terminal			E/S/H	5	09/97
15	75.2012.01	1802 5573	Klemme	borne	morsa	terminal			E/S/H	2	09/97
16	75.2012.02		Wand	cloison	parete	wall			E/S/H	2	09/97
17	75.2010.14		Verbindung	connexion	congiungimento	connection			E/S/H	3	09/97
18	712 344 362.01	1802 5574	Sicherung	fusible	fusibile	fuse	standard 1A 5x20		E/S/H	1	09/97
	712 344 362.08		Sicherung	fusible	fusibile	fuse	Chilltherm 4A 5x20		E/S	1	09/02
22	70.1371	1802 5441	Trafo	transformateur	trasformatore	transformer			E/S/H	1	09/97
23	76.9167.01	1800 5215	Schütz	contacteur	contattore	contactor	K2-12 A10 230V		E	4	09/97
23a	71.3312.01		Relais	relais	relé	relay			S/H	2	09/97
23b	71.3312.02		Sockel	socle	zoccolo	plinth			S/H	2	09/97
24	1115 1391	1101 9008	Kabelbride	bride pour câble	brida di cavo	cable clamp			E/S/H	5	09/97
26	76.9223		Abdeckung	couvercle	copertura	cover			E/S/H	1	09/97
29	712 044 121.01	1900 1235	Mutter	écrou	dado	nut	Ø4.8		E/S/H	2	09/97
30	1701 7535		Schraube	vis	vite	screw	Ø4.8x9.5		E/S/H	2	09/97

	76.3312.01		Relais	relais	relè	relay	CHILLTHERM			2	
	76.3312.03		Relaissockel	socle de relais	base di relé	relay base	CHILLTHERM			2	

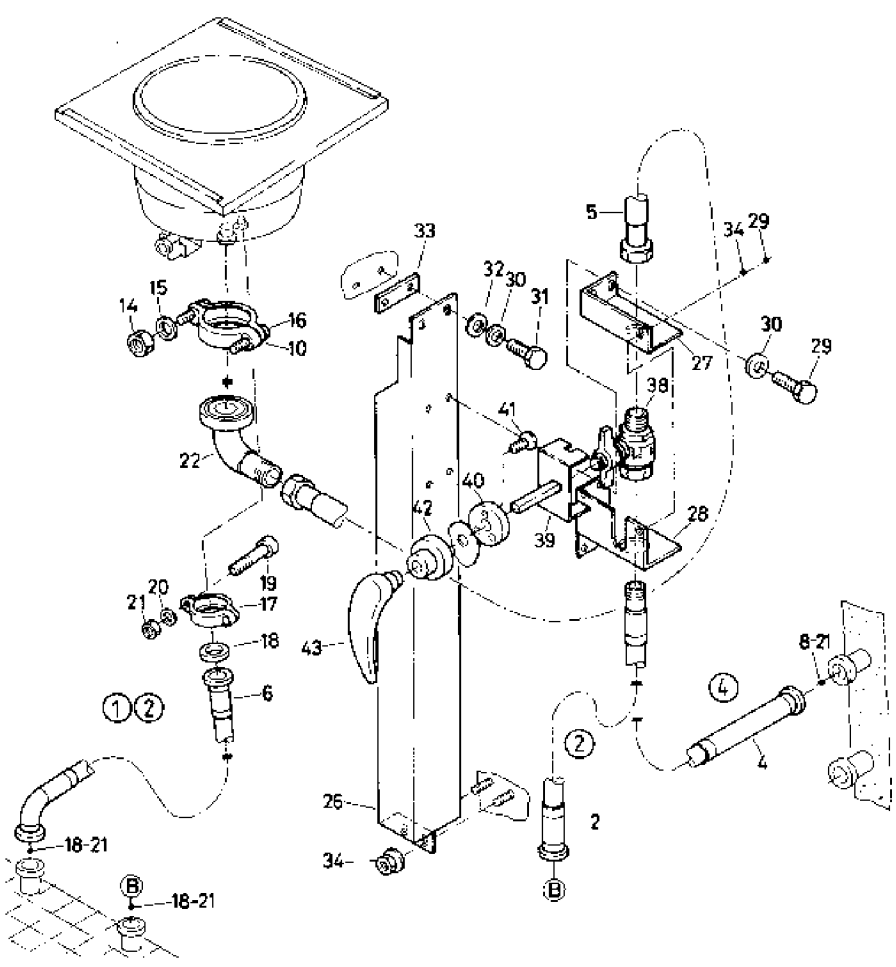
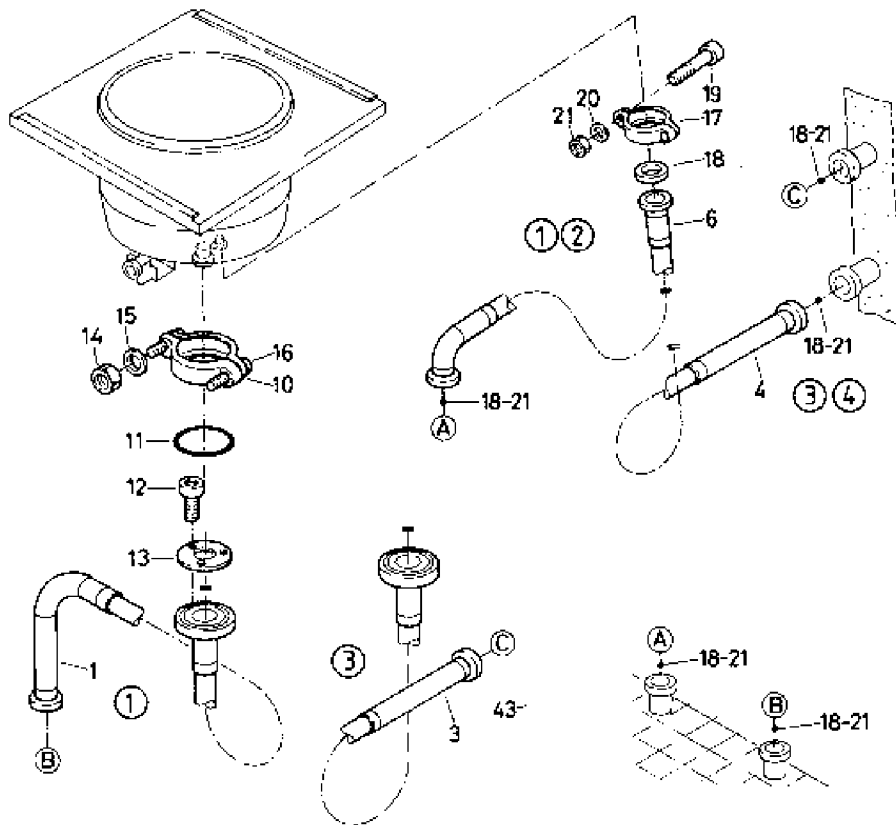


Doc. No.	Index	Issue	DE	FR	IT	GB	Seite/ Page/ Pagina/ Page	
76.9273.31		09/97	Baugruppe	Unité	Unità	Unit	1	
BON			Elektroanschluss	raccordement électrique	collegamento elettrico	electric connection		

Pos.	Product No.	Service No.	Bezeichnung	Désignation	Designazione	Designation	Type		Introduc-tion
1	76.9225		Halter	fixation	sostegno	support		1	09/97
2	76.9227		Abdeckung	couvercle	copertura	cover		1	09/97
3	712 044 120.06	1101 8577	Mutter	écrou	dado	nut	M6	2	09/97
4	712 044 121.01	1900 1235	Mutter	écrou	dado	nut		1	09/97
5	1701 7539		Schraube	vis	vite	screw	4.8x13	1	09/97
6	1701 3016	1101 8572	Mutter	écrou	dado	nut	M6	2	09/97
7	1701 4003		Unterlagscheibe	rondelle	rondella	washer	Ø6	2	09/97
8	1701 5007		Federring	anneau de ressort	anello di molla	spring ring	M6	2	09/97
11	76.9011		Schiene	rail	stecca	rail		3	09/97
12	10 3179	1101 8605	Schraube	vis	vite	screw	M5x12	3	09/97
13	1701 5004		Federring	anneau de ressort	anello di molla	spring ring	M5	3	09/97
14	1701 3535		Unterlagscheibe	rondelle	rondella	washer	M5	3	09/97
15	75.2013		Arretierstück	pièce d'arrête	parte d'arresto	stopper part		4	09/97
16	75.2010.10		Klemme	borne	morsa	terminal		3	09/97
17	75.2010.11		Klemme	borne	morsa	terminal		1	09/97
18	75.2010.12		Wand	cloison	parete	wall		1	09/97
19	75.2010.40		Klemme	borne	morsa	terminal		4	09/97
	75.2010.50		Klemme	borne	morsa	terminal		4	09/97
20	75.2010.41		Klemme	borne	morsa	terminal		1	09/97
21	75.2011.03		Klemme	borne	morsa	terminal		1	09/97
	75.2011.04		Klemme	borne	morsa	terminal		1	09/97
22	75.2010.44		Verbindung	connexion	congiungimento	connection		1	09/97
	75.2010.54		Verbindung	connexion	congiungimento	connection		1	09/97



Pos.	Produkt Nr.	Service Nr.	Bezeichnung	désignation	designazione	designation	Type	
			Baugruppe	unité	unità	unit		76.9273.35
			THERMACAM					1
			HACCP Gefährdungsanalyse und kritische Kontrollpunkte		Hazard Analysis and Critical Control Points			09.98
1	76.9301		Interface	interface	interface	interface		1
			komplett	complet	completo	complete		
2	76.9298		Gehäuse	boîtier	base	housing		1
3	76.9299		Platte	plaque	piastra	plate		1
4	76.9302		Interface Print	interface plaque de circuit	interface print	interface board	COP 485.1	1
5	1701 1068		Blechschaube	vis à tôle	vite metallica	sheet screw		4
6	76.9300		Kabel	câble	cavo	cable		1
7	1201 2012		Gegenmutter	contre-écrou	contro dado	counter nut	PG16	3
8	1201 2013		Kabelverschraubung	vissage de câble	collegamento cavo	cable gland	PG16	2
9	1201 2014		Kabelverschraubung	vissage de câble	collegamento cavo	cable gland	PG16	1
11	72.5269		Transformator Einheit	unité d. transformateur	unità d. trasformatore	transformer unit		1
			komplett	complet	completo	complete		
12	75.2008		Gehäuse	boîtier	base	housing		1
13	71.7354		Platte	plaque	piastra	plate		1
14	72.5209		Transformator	transformateur	trasformatore	transformer		1
15	1701 7504		Blechschaube	vis à tôle	vite metallica	sheet screw		4
16	1701 3502		Scheibe	rondelle	disco	washer		4
17	1701 2019		Schraube	vis	vite	screw	M4x8	4
18	1117 1229		Kabelverschraubung	vissage de câble	collegamento cavo	cable gland	PG13.5	2
19	1103 1628		Gegenmutter	contre-écrou	contro dado	counter nut	PG13.5	2



Doc. No.	Index	Issue	DE	FR	IT	GB	Seite/ Page/ Pagina/ Page					
76.9273.40		09/97	Baugruppe	Unité	Unità	Unit	1					
BON-S Version 1997			Dampfleitung Vorlauf/Rücklauf + Handsteuerung	Conduit devapeur Entrée/reflux + Commande manuelle	Conduttura di vapore Entrata/riflusso + Regolazione a mano	Steam pipe Entrance/return flow + Manual control						

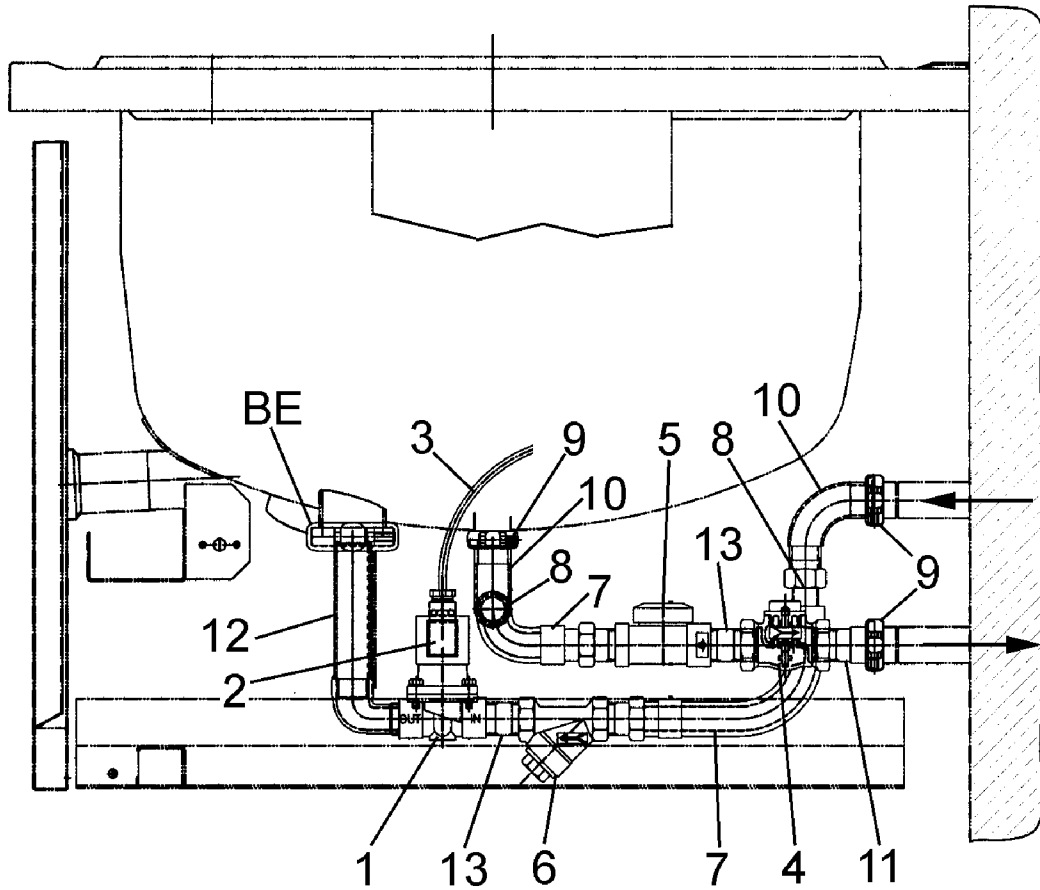
Pos.	Product No.	Service No.	Bezeichnung	Désignation	Designazione	Designation	Type	S		SH		W		WH		Introduc- -tion
1	76.2104		Leitung	conduite	conduttura	conduit		1								09/97
2	76.4343.03		Leitung	conduite	conduttura	conduit				1						09/97
3	76.2102.01		Leitung	conduite	conduttura	conduit						1				09/97
	76.2102.02		Leitung	conduite	conduttura	conduit						1				09/97
4	76.2096.01		Leitung	conduite	conduttura	conduit						1		2		09/97
	76.2096.02		Leitung	conduite	conduttura	conduit						1		2		09/97
5	70.0411.04		Leitung	conduite	conduttura	conduit				1				1		09/97
5a	1101 2158	1900 6862	Dichtung	joint	guarnizione	sealing	24x20x1.5			1				1		09/97
6	76.2103		Leitung	conduite	conduttura	conduit		1		1						09/97
10	713 842 019		Kupplung	accouplement	agganciamiento	coupling		2		2		2		2		09/97
11	713 042 130		Dichtung	joint	guarnizione	sealing		1		1		1		1		09/97
12	1101 8170		Schraube	vis	vite	screw	M4x8	3		3		3		3		09/97
12a	1101 8170		Loctite 577					1		1		1		1		09/97
13	76.4356.xx		Blende	bandeau	copertura	filler		1				1				09/97
14	1701 3044		Mutter	écrou	dado	nut	M8	2		2		2		2		09/97
15	1701 5008		Federring	anneau de ressort	anello di molla	spring ring	M8	2		2		2		2		09/97
16	1701 2583		Schraube	vis	vite	screw	M8x40	2		2		2		2		09/97
17	712 844 253		Kupplung	accouplement	agganciamiento	coupling		6		6		6		6		09/97
18	712 044 490		Dichtung	joint	guarnizione	sealing		3		3		3		3		09/97
19	1701 2516		Schraube	vis	vite	screw	M6x25	6		6		6		6		09/97
20	1701 5007		Federring	anneau de ressort	anello di molla	spring ring	M6	6		6		6		6		09/97
21	1701 3016	1101 8572	Mutter	écrou	dado	nut	M6	6		6		6		6		09/97
22	76.2097		Stutzen	manchon	carabina	flange				1				1		09/97
26	76.2087.01		Strebe	jambe de force	puntello	strut				1				1		09/97
	76.2087.02		Strebe	jambe de force	puntello	strut				1				1		09/97
27	76.2084		Halter	fixation	sostegno	support				1				1		09/97
28	76.2085		Halter	fixation	sostegno	support				1				1		09/97
29	1701 2509		Schraube	vis	vite	screw	M5x12			5				5		09/97
30	1701 5004		Federring	anneau de ressort	anello di molla	spring ring	M5			6				6		09/97
31	1701 2567		Schraube	vis	vite	screw	M5x20			2				2		09/97

Doc. No.	Index	Issue	DE	FR	IT	GB	Seite/ Page/ Pagina/ Page					
76.9273.40		09/97	Baugruppe	Unité	Unità	Unit	2					
BON-S Version 1997			Dampfleitung Vorlauf/Rücklauf + Handsteuerung	Conduit devapeur Entrée/reflux + Commande manuelle	Conduttura di vapore Entrata/riflusso + Regolazione a mano	Steam pipe Entrance/return flow + Manual control						

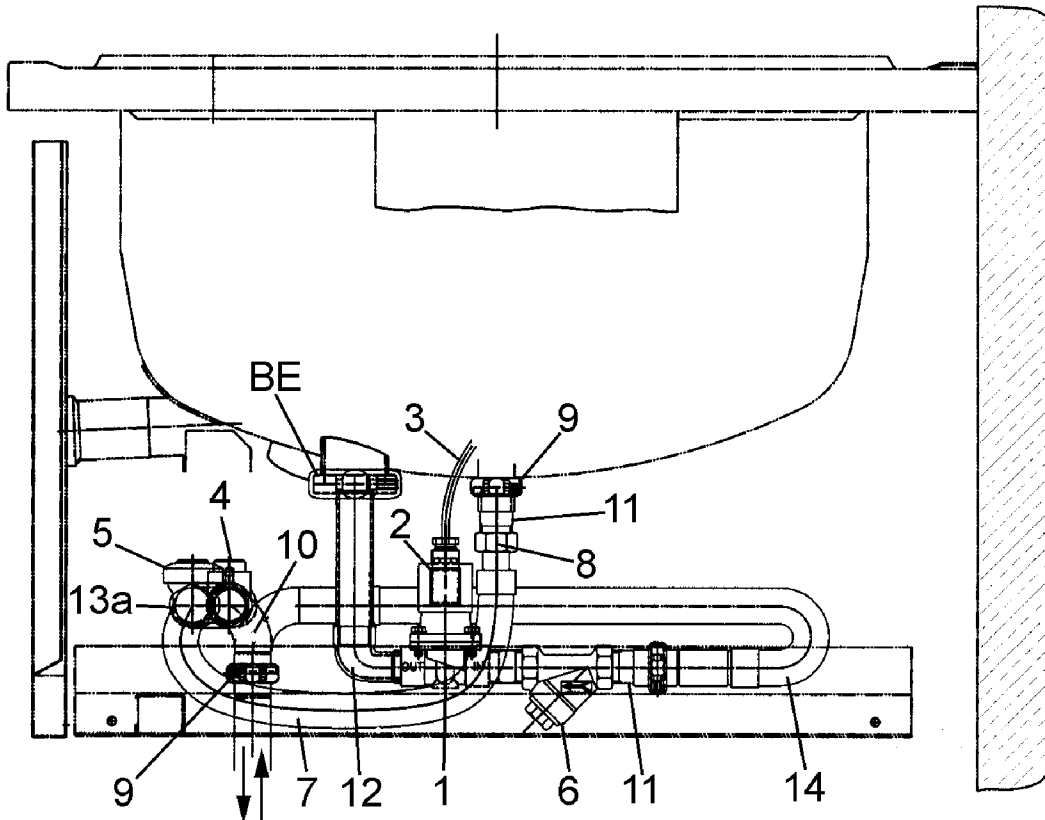
Pos.	Product No.	Service No.	Bezeichnung	Désignation	Designazione	Designation	Type	S		SH		W		WH		Introduc- -tion
32	1701 3535		Scheibe	disque	disco	disk	M5			2				2		09/97
33	76.2095		Blech	tôle	lamiera	sheet				4				4		09/97
34	712 044 120.05	1101 8576	Mutter	écrou	dado	nut	M5			3				3		09/97
38	76.3079		Ventil	soupape, vanne	valvola	valve	¾"			1				1		09/97
39	76.2060		Verlängerung	prolongation	allungamento	prolongation				1				1		09/97
40	76.2070		Ring	anneau	anello	ring				1				1		09/97
41	1701 1028		Schraube	vis	vite	screw	M4x12			3				3		09/97
42	76.2059		Rosette	rosace	rosetta	rose				1				1		09/97
43	71.0268	1900 6126	Hebel	levier	leva	lever				1				1		09/97

S	Standmontage	montage au sol	montaggio a pavimento	floor mounting
SH	Standmontage Handsteuerung	montage au sol commande manuelle	montaggio a pavimento regolazione a mano	floor mounting manual control
W	Wandbefestigung	montage mural	montaggio a muro	wall mounted
WH	Wandbefestigung Handsteuerung	montage mural commande manuelle	montaggio a muro regolazione a mano	wall mounted manual control

Wandanschluss raccordement mural raccordo alla parete wall connection



Bodenanschluss raccordement au sol raccordo sul pavimento bottom connection



Doc. No.	Index	Issue	DE	FR	IT	GB	Seite/ Page/ Pagina/ Page					
76.9273.42		08/02	Baugruppe	Unité	Unità	Unit	1					
BON-S Version 2002			Dampfleitung Vorlauf/Rücklauf	Conduit devapeur Entrée/reflux	Conduttura di vapore Entrata/riflusso	Steam pipe Entrance/return flow						

Pos.	Product No.	Service No.	Bezeichnung	Désignation	Designazione	Designation	Type	40- 150	40	60	80	100	150			Introduc- -tion
1	76.3097		Magnetventil	vanne magnétique	elettrovalvola	solenoid valve		1								08/02
2	76.4935		Stecker	fiche	spina	plug		1								08/02
3	76.9064.04		Kabel	câble	cavo	cable		1								08/02
4	1201 2035		Rückschlagventil	soupape anti-retour	valvola antiritorno	check valve		1								08/02
5	1201 2016		Kondensatabscheider	séparateur de condensat	divisore di condensa	steam trap		1								08/02
6	1201 2036		Filter	filtre	filtro	filter		1								08/02
7	76.3183.03		Schlauch	tuyau flexible	tubo flessibile	hose		2								08/02
8	1101 2086		Dichtung	joint	guarnizione	sealing		2								08/02
9	76.2030		Kupplung Sandvik	accouplement	agganciamento	coupling Sandvik		3								08/02
10	76.4558.01		Anschluss	raccordement	raccordo	connection		2								08/02
11	76.4558.02		Anschluss	raccordement	raccordo	connection		1								08/02
12	76.4634		Anschluss	raccordement	raccordo	connection		1								08/02
13a	76.4571.01		Anschluss	raccordement	raccordo	connection	T800W		2	2	2	2				08/02
13b	76.4571.02		Anschluss	raccordement	raccordo	connection	T900W		2	2	2	2	2			08/02
13c	76.4571.02		Anschluss	raccordement	raccordo	connection	T800IW		2	2	2	2				08/02
13d	76.4571.03		Anschluss	raccordement	raccordo	connection	T900IW		2	2	2	2	2			08/02
14	76.2129		Leitung	conduite	conduttura	conduit		1								08/02
BE	76.9273.40		Einbau Drosselblende	installation tuyère	installazione ugello	installation orifice		1								

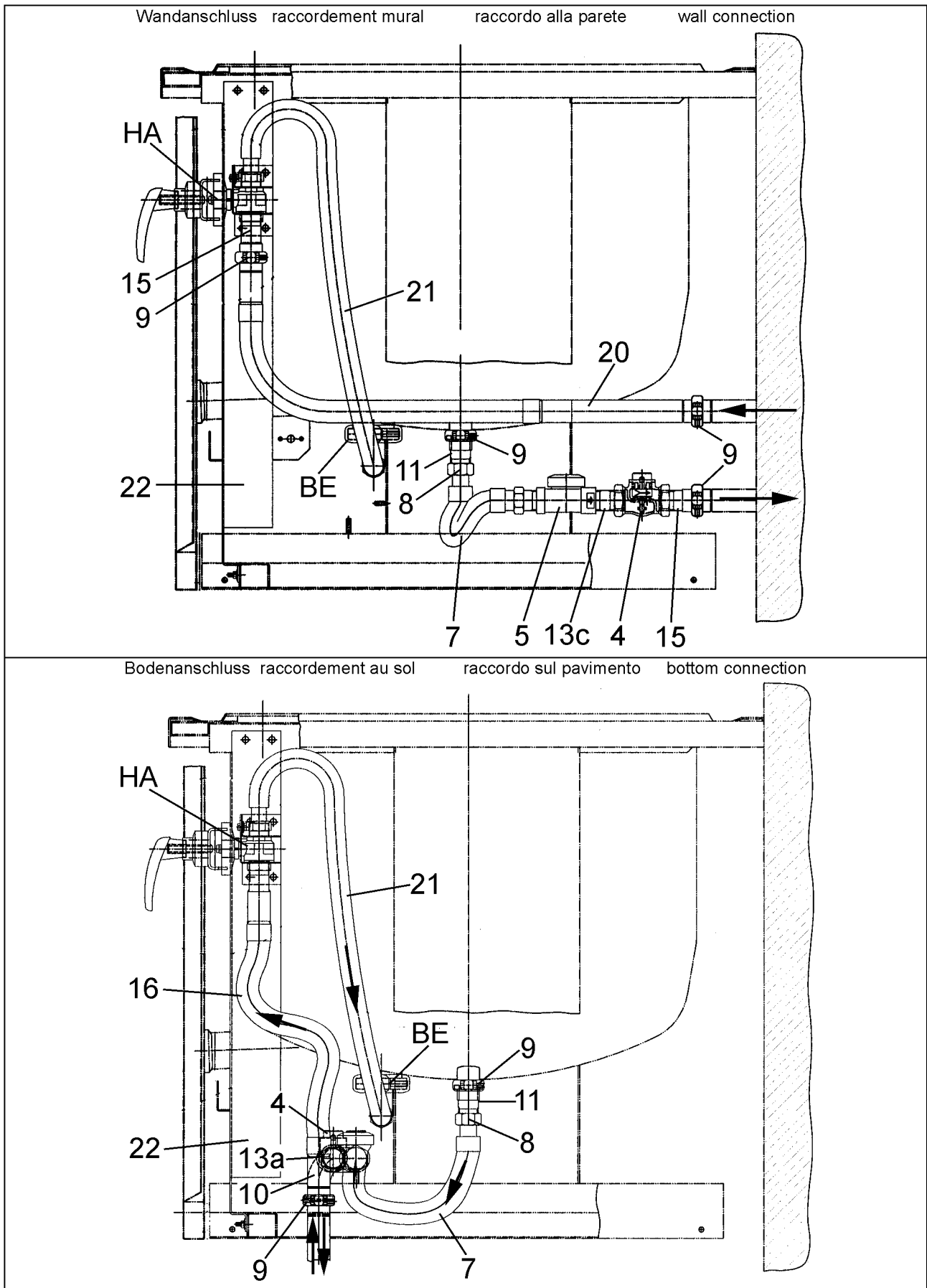
Erklärung explication spiegazione explanation

T = Gerätetiefe profondeur d'appareil profondità dell'apparecchio appliance depth

W = Wandmontage montage mural montaggio alla parete wall mounting

IW = Wandmontage montage mural montaggio alla parete wall mounting

Installationswand paroi d'installation parete d'installazione installation wall



Doc. No.	Index	Issue	DE	FR	IT	GB	Seite/ Page/ Pagina/ Page									
76.9273.43		08/02	Baugruppe	Unité	Unità	Unit	1									
BON-S Version 2002			Dampfleitung Vorlauf/Rücklauf + Handsteuerung	Conduit devapeur Entrée/reflux + Commande manuelle	Conduttura di vapore Entrata/riflusso + Regolazione a mano	Steam pipe Entrance/return flow + Manual control										

Pos.	Product No.	Service No.	Bezeichnung	Désignation	Designazione	Designation	Type	40- 150	40	60	80	100	150			Introduc- -tion
4	1201 2035		Rückschlagventil	soupape anti-retour	valvola antiritorno	check valve		1								08/02
5	1201 2016		Kondensatabscheider	séparateur de condensat	divisore di condensa	steam trap		1								08/02
7	76.3183.01		Schlauch	tuyau flexible	tubo flessibile	hose		1								08/02
8	1101 2086		Dichtung	joint	guarnizione	sealing		1								08/02
9	76.2030		Kupplung Sandvik	accouplement	agganciamento	coupling Sandvik		2								08/02
10	76.4558.01		Anschluss	raccordement	raccordo	connection		1								08/02
11	76.4558.02		Anschluss	raccordement	raccordo	connection		1								08/02
13a	76.4571.01		Anschluss	raccordement	raccordo	connection		1								08/02
13c	76.4571.03		Anschluss	raccordement	raccordo	connection		1								08/02
15	76.2098		Anschluss	raccordement	raccordo	connection		2								08/02
16	76.4343.03		Schlauch	tuyau flexible	tubo flessibile	hose		1								08/02
20a	76.2096.01		Schlauch	tuyau flexible	tubo flessibile	hose	H700W	1								08/02
20b	76.2096.01		Schlauch	tuyau flexible	tubo flessibile	hose	H800W	1								08/02
20c	76.2096.02		Schlauch	tuyau flexible	tubo flessibile	hose	H700IW	1								08/02
20d	76.2096.02		Schlauch	tuyau flexible	tubo flessibile	hose	H800IW	1								08/02
21	70.0411.04		Schlauch	tuyau flexible	tubo flessibile	hose		1								08/02
22a	76.2087.01		Strebe	chevalet	trave	strut	H700	1								08/02
22b	76.2087.02		Strebe	chevalet	trave	strut	H800	1								08/02
22c	76.2087.01		Strebe	chevalet	trave	strut	H700IW	1								08/02
22d	76.2087.02		Strebe	chevalet	trave	strut	H800IW	1								08/02
	1201 1813		Loctite 577					1								08/02
BE	76.9273.40		Einbau Drosselblende	installation tuyère	installazione ugello	installation orifice		1								08/02
HA	76.9273.40		Handventil	vanne manuelle	valvola a mano	manual valve		1								08/02

Erklärung	explication	spiegazione	explanation
H = Gerätehöhe	hauteur d'appareil	altezza dell'apparecchio	appliance height
W = Wandmontage	montage mural	montaggio alla parete	wall mounting
IW = Wandmontage Installationswand	montage mural paroi d'installation	montaggio alla parete parete d'installazione	wall mounting installation wall

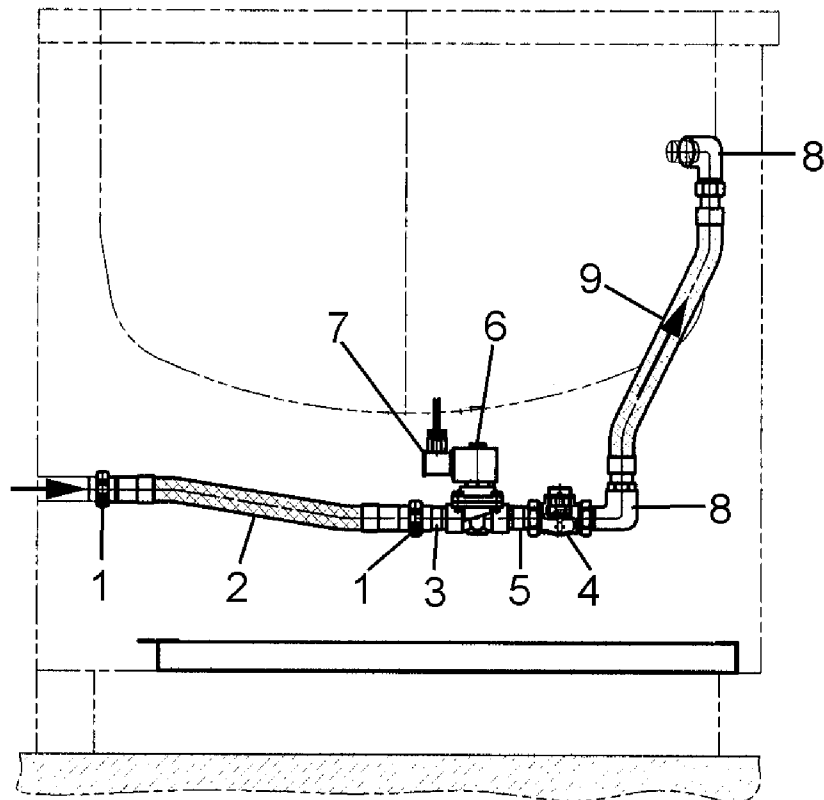
CHILLTHERM BON-E

Kühlwasserleitung
Eintritt

conduite d'eau refroid.
entrée

conduttura d'acqua refriger.
ingresso

cooling water pipe
inlet

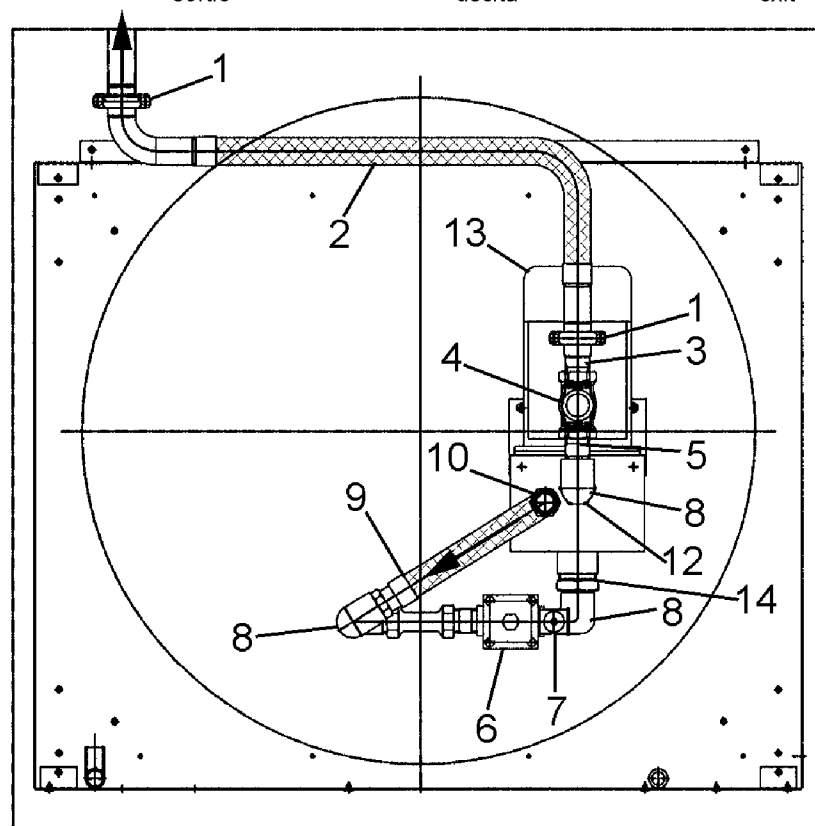


Kühlwasserleitung
Austritt

conduite d'eau refroid.
sortie

conduttura d'acqua refriger.
uscita

cooling water pipe
exit



Doc. No.	Index	Issue	DE	FR	IT	GB	Seite/ Page/ Pagina/ Page			
76.9273.44		05/03	Baugruppe	Unité	Unità	Unit	1			
BON-E CHILLTHERM			Kühlwasserleitung Vorlauf/Rücklauf	conduite d'eau refroid. Entrée/reflux	conduttura d'acqua refrig. Entrata/riflusso	cooling water pipe Entrance/return flow				

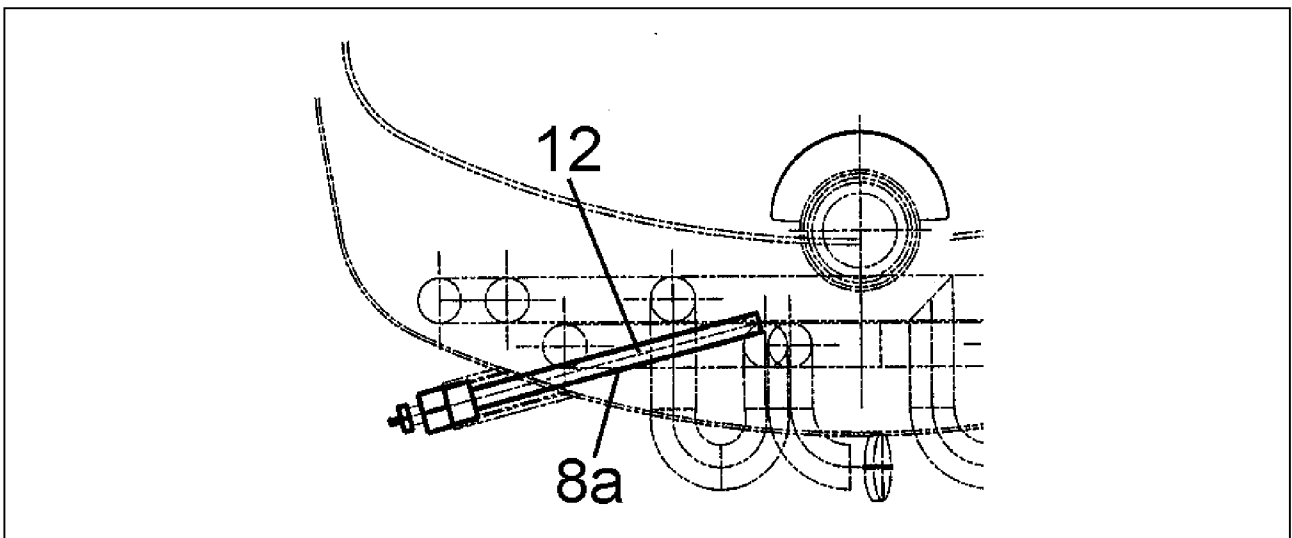
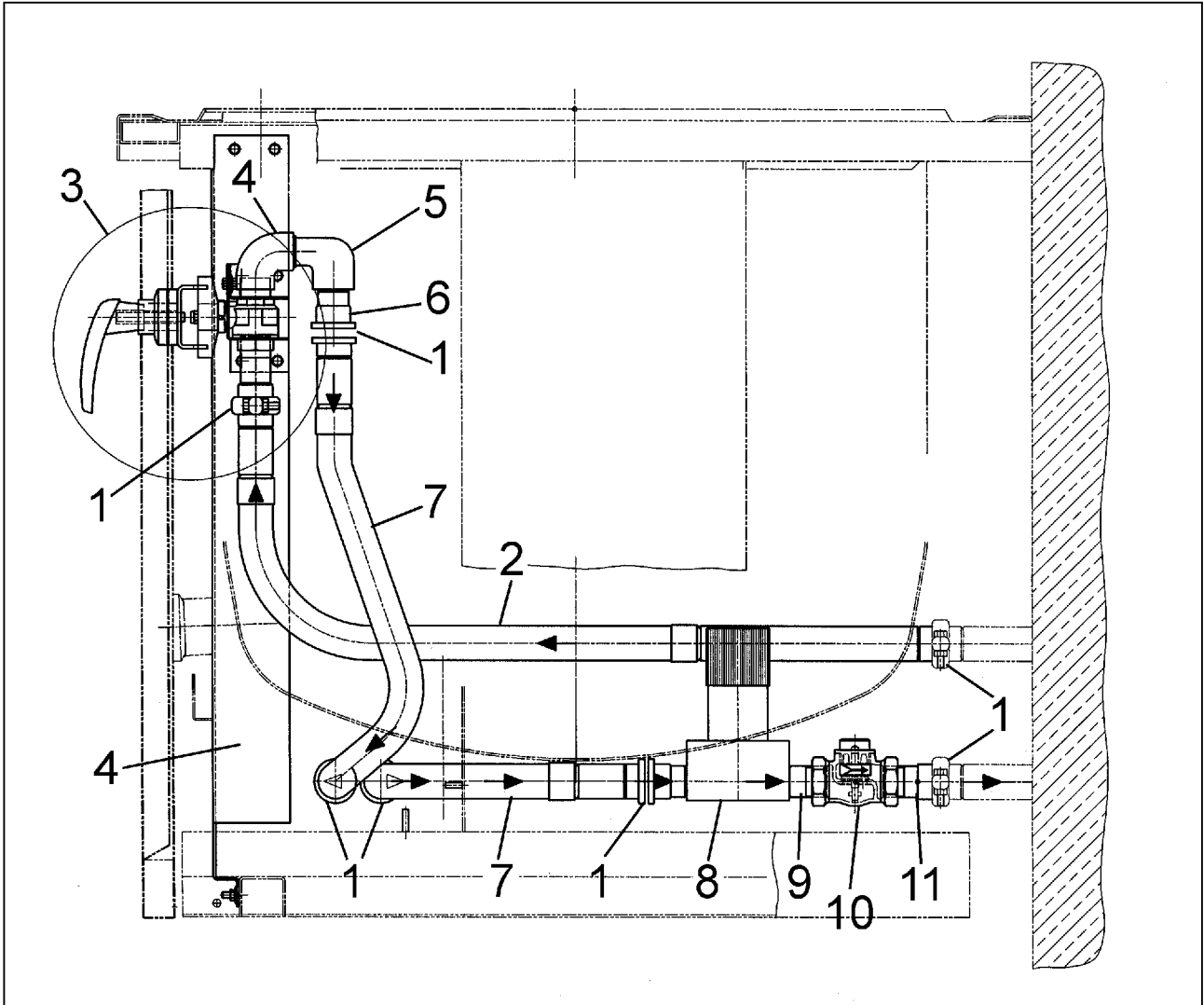
Pos.	Product No.	Service No.	Bezeichnung	Désignation	Designazione	Designation	Type					100	150		Introduction
1	76.2030		Kupplung Sandvik	accouplement	agganciamento	coupling Sandvik						2	2		05/03
2	76.4557.01		Schlauch	tuyau flexible	tubo flessibile	hose	T800					1			05/03
	76.4557.02		Schlauch	tuyau flexible	tubo flessibile	hose	T900					1	1		05/03
3	76.4558.02		Anschluss	raccordement	raccordo	connection						1	1		05/03
4	1201 2035		Rückschlagventil	soupape anti-retour	valvola antiritorno	check valve						1	1		05/03
5	76.4571.01		Doppelnippel	mamelon double	raccordo doppio	double nipple						1	1		05/03
6	76.3097		Magnetventil	vanne magnétique	elettrovalvola	solenoid valve						1	1		05/03
7	76.4935		Stecker	fiche	spina	plug						1	1		05/03
8	1201 2009		Bogen	arc	arco	bow						2/3	2/3		05/03
9	76.3183.01		Schlauch	tuyau flexible	tubo flessibile	hose						1	1		05/03
10	1101 2086		Dichtung	joint	guarnizione	sealing						1	1		05/03
11	1201 1813		LOCTITE 577									1	1		05/03
12	1201 2055		Anschluss	raccordement	raccordo	connection						1	1		05/03
13	1115 1576		Pumpe	pompe	pompa	pump						1	1		05/03
14	1201 2054		Reduktionsnippel	mamelon de réduction	raccordo di riduzione	reducing nipple						1	1		05/03

T = Gerätetiefe profondeur d'appareil profondità dell'apparecchio appliance depth

CHILLTHERM BON-S

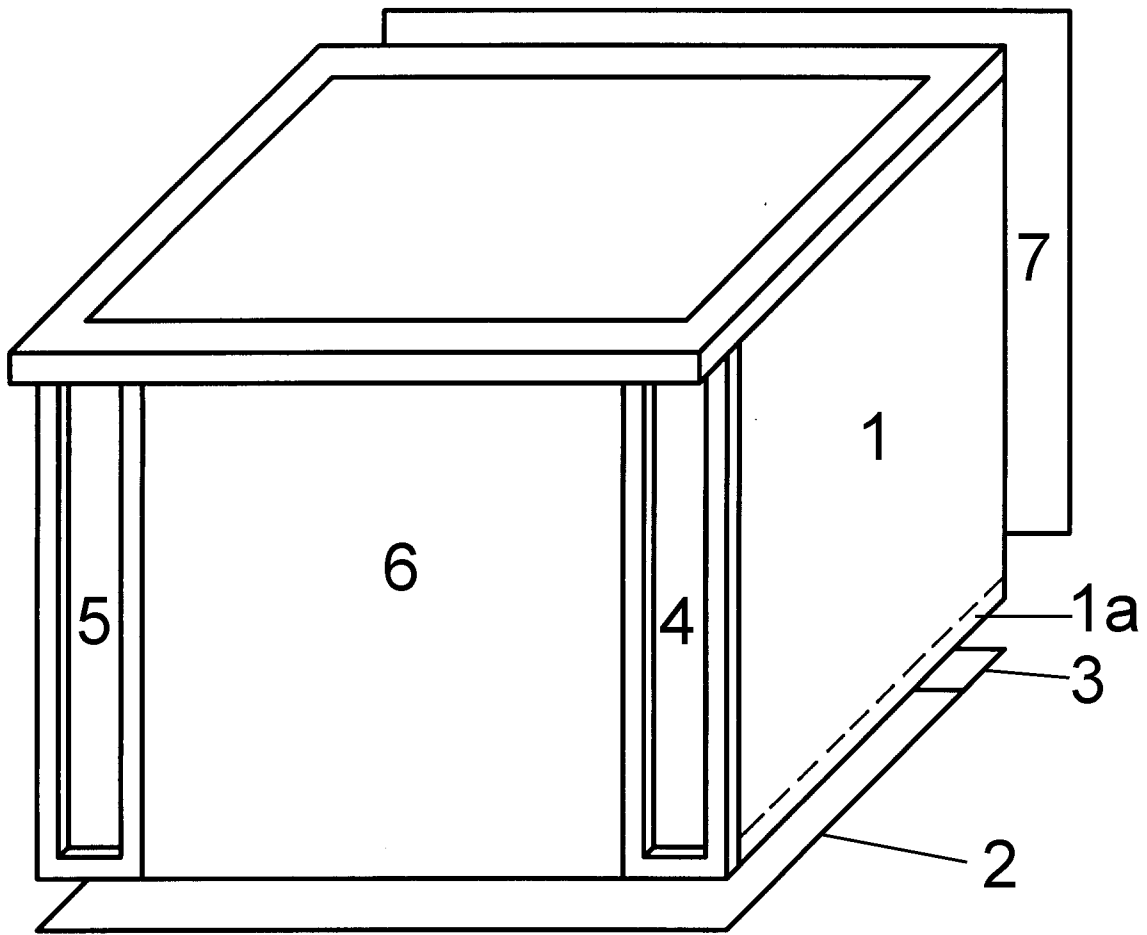
Doc. No.	Index	Issue	DE	FR	IT	GB	Seite/ Page/ Pagina/ Page			
76.9273.46		05/03	Baugruppe	Unité	Unità	Unit	1			
BON-S CHILLTHERM			Kühlwasserleitung Vorlauf/Rücklauf	conduite d'eau refroid. Entrée/reflux	conduttura d'acqua refrig. Entrata/riflusso	cooling water pipe Entrance/return flow				

Pos.	Product No.	Service No.	Bezeichnung	Désignation	Designazione	Designation	Type					100	150		Introduction
1	76.2030		Kupplung Sandvik	accouplement	agganciamento	coupling Sandvik						2	2		05/03



Doc. No.	Index	Issue	DE	FR	IT	GB	Seite/ Page/ Pagina/ Page			
76.9273.48		07/05	Baugruppe	Unité	Unità	Unit	1			
BON-H			Heisswasserleitung Vorlauf/Rücklauf	Conduites eau chaude Entrée/reflux	Condutture acqua calda Entrata/riflusso	Hotwater conduits Entrance/return flow	Kaserne Donnerberg			

Pos.	Product No.	Service No.	Bezeichnung	Désignation	Designazione	Designation	Type					100			Introduction
1	76.2030		Kupplung Sandvik	accouplement	agganciamento	coupling Sandvik						7			
1a	76.3248		Dichtung	joint	guarnizione	sealing	PTFE					7			
2	76.2096.02		Schlauch	tuyau flexible	tubo flessibile	hose						1			
3			Siehe Kapitel 76.9273.40	voir chapitre 76.9273.40	vedere capitolo 76.9273.40	see chapter 76.9273.40						1			
4	1701 2755		Kniestück	coude	gomito	angle						1			
5	1201 2009		Kniestück	coude	gomito	angle						1			
6	76.4558.02		Flansch	bride	flangia	flange						1			
7	76.3336		Schlauch	tuyau flexible	tubo flessibile	hose						2			
8	1105 1278		Temperaturregler	régulateur de temp.	regolatore di temp.	temperature regulator	AVTB20					1			
8a			Fühlerrohr	tuyau de sonde	tubo del sensore	sensor tube						1			
9	76.4571.03		Nippel	mamelon	raccordo	nipple						1			
10	1201 2035		Rückschlagventil	soupape anti-retour	valvola ritegno	check valve						1			
11	76.2098		Flansch	bride	flangia	flange						1			
12	1201 1510		Wärmeleitpaste	pâte conduction thermique	paste conduzione di calore	heat-conductive paste						X			



Doc. No.	Index	Issue	DE	FR	IT	GB	Seite/ Page/ Pagina/ Page							
76.9273.50		09/97	Baugruppe	Unité	Unità	Unit	1							
			Verschalung	revêtement	rivestimento	paneling								

Pos.	Product No.		Bezeichnung	Désignation	Designazione	Designation	BON/BEN/PEN								Introdu- c-tion
							40	60	80	100	150	200	300	400	
1	76.5073.01	W/700h/800/L	Seitenwand	paroi latérale	parete laterale	side panel	1	1	1	1	1	1	1	1	09/97
	76.5073.11	W/700h/800/R	Seitenwand	paroi latérale	parete laterale	side panel	1	1	1	1	1	1	1	1	09/97
	76.5073.03	W/700h/900/L	Seitenwand	paroi latérale	parete laterale	side panel	1	1	1	1	1	1	1	1	09/97
	76.5073.13	W/700h/900/R	Seitenwand	paroi latérale	parete laterale	side panel	1	1	1	1	1	1	1	1	09/97
	76.5139.01	F/700h/800/L	Seitenwand	paroi latérale	parete laterale	side panel	1	1	1	1	1	1	1	1	09/97
	76.5139.01	F/700h/800/R	Seitenwand	paroi latérale	parete laterale	side panel	1	1	1	1	1	1	1	1	09/97
	76.5139.03	F/700h/900/L	Seitenwand	paroi latérale	parete laterale	side panel	1	1	1	1	1	1	1	1	09/97
	76.5139.03	F/700h/900/R	Seitenwand	paroi latérale	parete laterale	side panel	1	1	1	1	1	1	1	1	09/97
	76.5290.01	Ju/W/650h/850/L	Seitenwand	paroi latérale	parete laterale	side panel			1		1				09/97
	76.5308.01	Ju/W/650h/850/R	Seitenwand	paroi latérale	parete laterale	side panel			1		1				09/97
	76.5290.01	Ju/W/650h/900/L	Seitenwand	paroi latérale	parete laterale	side panel			1		1				09/97
	76.5308.01	Ju/W/650h/900/R	Seitenwand	paroi latérale	parete laterale	side panel			1		1				09/97
	76.5290.02	Ju/W/700h/850/L	Seitenwand	paroi latérale	parete laterale	side panel						1	1		09/97
	76.5308.02	Ju/W/700h/850/R	Seitenwand	paroi latérale	parete laterale	side panel						1	1		09/97
	76.5290.02	Ju/W/700h/900/L	Seitenwand	paroi latérale	parete laterale	side panel						1	1		09/97
	76.5308.02	Ju/W/700h/900/R	Seitenwand	paroi latérale	parete laterale	side panel						1	1		09/97
	76.5073.02	S/N/800h/800/L	Seitenwand	paroi latérale	parete laterale	side panel	1	1	1	1	1	1	1	1	09/97
	76.5073.12	S/N/800h/800/R	Seitenwand	paroi latérale	parete laterale	side panel	1	1	1	1	1	1	1	1	09/97
	76.5073.04	S/N/800h/900/L	Seitenwand	paroi latérale	parete laterale	side panel	1	1	1	1	1	1	1	1	09/97
	76.5073.14	S/N/800h/900/R	Seitenwand	paroi latérale	parete laterale	side panel	1	1	1	1	1	1	1	1	09/97
	76.5139.02	S/F/800h/800/L	Seitenwand	paroi latérale	parete laterale	side panel	1	1	1	1	1	1	1	1	09/97
	76.5139.02	S/F/800h/800/R	Seitenwand	paroi latérale	parete laterale	side panel	1	1	1	1	1	1	1	1	09/97
	76.5139.04	S/F/800h/900/L	Seitenwand	paroi latérale	parete laterale	side panel	1	1	1	1	1	1	1	1	09/97
	76.5139.04	S/F/800h/900/R	Seitenwand	paroi latérale	parete laterale	side panel	1	1	1	1	1	1	1	1	09/97
	76.5290.03	Ju/S/750h/850/L	Seitenwand	paroi latérale	parete laterale	side panel			1		1	1	1		09/97
	76.5308.03	Ju/S/750h/850/R	Seitenwand	paroi latérale	parete laterale	side panel			1		1	1	1		09/97
	76.5290.03	Ju/S/750h/900/L	Seitenwand	paroi latérale	parete laterale	side panel			1		1	1	1		09/97
	76.5308.03	Ju/S/750h/900/R	Seitenwand	paroi latérale	parete laterale	side panel			1		1	1	1		09/97

Doc. No.	Index	Issue	DE	FR	IT	GB	Seite/ Page/ Pagina/ Page							
76.9273.50		09/97	Baugruppe	Unité	Unità	Unit	2							
			Verschalung	revêtement	rivestimento	paneling								

Pos.	Product No.		Bezeichnung	Désignation	Designazione	Designation	BON/BEN/PEN								Intro- duction
							40	60	80	100	150	200	300	400	
1a	76.5187.01	W/700h/800/L/R 2G/oW		Blendebandeau	copertura	filler	1	1	1	1	1	1	1	1	09/97
	76.5187.02	W/700h/900/L/R 2G/oW		Blendebandeau	copertura	filler	1	1	1	1	1	1	1	1	09/97
	76.5186.01	F/700h/800/L/R 2G/oW		Blendebandeau	copertura	filler	1	1	1	1	1	1	1	1	09/97
	76.5186.02	F/700h/900/L/R 2G/oW		Blendebandeau	copertura	filler	1	1	1	1	1	1	1	1	09/97
	76.5187.01	S/N/800h/800/L/R 2G/oW	Blende	bandeau	copertura	filler	1	1	1	1	1	1	1	1	09/97
	76.5187.02	S/N/800h/900/L/R 2G/oW	Blende	bandeau	copertura	filler	1	1	1	1	1	1	1	1	09/97
	76.5186.01	S/F/800h/800/L/R 2G/oW	Blende	bandeau	copertura	filler	1	1	1	1	1	1	1	1	09/97
	76.5187.02	S/F/800h/900/L/R 2G/oW	Blende	bandeau	copertura	filler	1	1	1	1	1	1	1	1	09/97
2	76.5192.01	W	Boden	fond	fondo	base	BON								09/97
	76.5185.01	W	Boden	fond	fondo	base		BON							09/97
	76.5285.01	W	Boden	fond	fondo	base			BON	BON					09/97
	76.5207.01	W	Boden	fond	fondo	base				BON					09/97
	76.5197.01	(Ju)W	Boden	fond	fondo	base			BEN PEN						09/97
	76.5212.01	(Ju)W	Boden	fond	fondo	base				BEN PEN	BEN PEN				09/97
	76.5213.01	(Ju)W	Boden	fond	fondo	base						BEN PEN			09/97
	76.5222.01	W	Boden	fond	fondo	base							BEN		09/97
	76.5192.02	S	Boden	fond	fondo	base	BON								09/97
	76.5185.02	S	Boden	fond	fondo	base		BON							09/97
	76.5285.02	S	Boden	fond	fondo	base			BON	BON					09/97
	76.5207.02	S	Boden	fond	fondo	base				BON					09/97
	76.5197.02	(Ju)S	Boden	fond	fondo	base			BEN PEN						09/97
	76.5212.02	(Ju)S	Boden	fond	fondo	base				BEN PEN	BEN PEN				09/97

Doc. No.	Index	Issue	DE	FR	IT	GB	Seite/ Page/ Pagina/ Page			
76.9273.50		09/97	Baugruppe	Unité	Unità	Unit	3			
			Verschalung	revêtement	rivestimento	paneling				

Pos.	Product No.		Bezeichnung	Désignation	Designatione	Designation	BON/BEN/PEN								Intro- duction
							40	60	80	100	150	200	300	400	
2	76.5213.02	(Ju)S	Boden	fond	fondo	base							BEN PEN		09/97
	76.5222.02	S	Boden	fond	fondo	base								BEN	09/97
	76.5192.04	S/F/800	Boden	fond	fondo	base	BON								09/97
	76.5185.04	S/F/800	Boden	fond	fondo	base		BON							09/97
	76.5285.04	S/F/800	Boden	fond	fondo	base			BON	BON					09/97
	76.5207.04	S/F/800	Boden	fond	fondo	base					BON				09/97
	76.5197.04	(Ju) S/F/800	Boden	fond	fondo	base			BEN PEN						09/97
	76.5212.04	(Ju) S/F/800	Boden	fond	fondo	base					BEN PEN	BEN PEN			09/97
	76.5213.04	(Ju) S/F/800	Boden	fond	fondo	base							BEN PEN		09/97
	76.5222.04	S/F/800	Boden	fond	fondo	base								BEN	09/97
	76.5192.03	S/Hy/800	Boden	fond	fondo	base	BON								09/97
	76.5185.03	S/Hy/800	Boden	fond	fondo	base		BON							09/97
	76.5285.03	S/Hy/800	Boden	fond	fondo	base			BON	BON					09/97
	76.5207.03	S/Hy/800	Boden	fond	fondo	base					BON				09/97
	76.5197.03	(Ju) S/ Hy /800	Boden	fond	fondo	base			BEN PEN						09/97
	76.5212.03	(Ju) S/ Hy /800	Boden	fond	fondo	base					BEN PEN	BEN PEN			09/97
	76.5213.03	(Ju) S/ Hy /800	Boden	fond	fondo	base							BEN PEN		09/97
	76.5222.03	S/ Hy /900	Boden	fond	fondo	base								BEN	09/97
	76.5192.05	S/Hy/900	Boden	fond	fondo	base	BON								09/97
	76.5185.05	S/Hy/900	Boden	fond	fondo	base		BON							09/97
	76.5285.05	S/Hy/900	Boden	fond	fondo	base			BON	BON					09/97
	76.5207.05	S/Hy/900	Boden	fond	fondo	base					BON				09/97
	76.5197.05	(Ju) S/ Hy /900	Boden	fond	fondo	base			BEN PEN						09/97
	76.5212.05	(Ju) S/ Hy /900	Boden	fond	fondo	base					BEN PEN	BEN PEN			09/97
	76.5213.05	(Ju) S/ Hy /900	Boden	fond	fondo	base							BEN PEN		09/97
	76.5222.03	S/ Hy /800	Boden	fond	fondo	base								BEN	09/97
	76.5185.06	S/T/Hy/900	Boden	fond	fondo	base		BON							5/98

Doc. No.	Index	Issue	DE	FR	IT	GB	Seite/ Page/ Pagina/ Page						
76.9273.50		09/97	Baugruppe	Unité	Unità	Unit	4						
			Verschaltung	revêtement	rivestimento	paneling							

Pos.	Product No.		Bezeichnung	Désignation	Designatione	Designation	BON/BEN/PEN								Intro- duction
							40	60	80	100	150	200	300	400	
2	76.5285.06	S/T/Hy/900	Boden	fond	fondo	base			BON	BON					5/98
	76.5207.06	S/T/Hy/900	Boden	fond	fondo	base					BON				5/98
	76.5192.06	S/T/Hy/900	Boden	fond	fondo	base	BON								5/98
	76.5733	Z	Boden, Chilltherm	fond, Chilltherm	fondo, Chilltherm	base, Chilltherm			BON	BON					45. week 11/04
	76.5734	Z	Boden, Chilltherm	fond, Chilltherm	fondo, Chilltherm	base, Chilltherm					BON				45. week 11/04

Doc. No.	Index	Issue	DE	FR	IT	GB	Seite/ Page/ Pagina/ Page					
76.9273.50		09/97	Baugruppe	Unité	Unità	Unit	5					
			Verschaltung	revêtement	rivestimento	paneling						

Pos.	Product No.		Bezeichnung	Désignation	Designazione	Designation	BON/BEN/PEN								Intro- duction
							40	60	80	100	150	200	300	400	
3	76.1180.01	W/800	Blende	bandeau	copertura	filler	BON								09/97
	76.1181.01	W/800	Blende	bandeau	copertura	filler		BON							09/97
	76.1175.01	W/800	Blende	bandeau	copertura	filler			BON	BON					09/97
	76.1182.01	W/800	Blende	bandeau	copertura	filler				BON					09/97
	76.1181.01	W/800	Blende	bandeau	copertura	filler			BEN PEN						09/97
	76.1183.01	W/800	Blende	bandeau	copertura	filler				BEN PEN	BEN PEN				09/97
	76.1184.01	W/800	Blende	bandeau	copertura	filler						BEN PEN			09/97
	76.1185.01	W/800	Blende	bandeau	copertura	filler							BEN		09/97
	76.1180.02	W/900	Blende	bandeau	copertura	filler	BON								09/97
	76.1181.02	W/900	Blende	bandeau	copertura	filler		BON							09/97
	76.1175.02	W/900	Blende	bandeau	copertura	filler			BON	BON					09/97
	76.1182.02	W/900	Blende	bandeau	copertura	filler				BON					09/97
	76.1181.02	W/900	Blende	bandeau	copertura	filler			BEN PEN						09/97
	76.1183.02	W/900	Blende	bandeau	copertura	filler				BEN PEN	BEN PEN				09/97
	76.1184.02	W/900	Blende	bandeau	copertura	filler						BEN PEN			09/97
	76.1185.02	W/900	Blende	bandeau	copertura	filler							BEN		09/97
	76.1180.02	S/N/mR/800	Blende	bandeau	copertura	filler	BON								09/97
	76.1181.02	S/N/mR/800	Blende	bandeau	copertura	filler		BON							09/97
	76.1175.02	S/N/mR/800	Blende	bandeau	copertura	filler			BON	BON					09/97
	76.1182.02	S/N/mR/800	Blende	bandeau	copertura	filler				BON					09/97
	76.1181.02	S/N/mR/800	Blende	bandeau	copertura	filler			BEN PEN						09/97
	76.1183.02	S/N/mR/800	Blende	bandeau	copertura	filler				BEN PEN	BEN PEN				09/97
	76.1184.02	S/N/mR/800	Blende	bandeau	copertura	filler						BEN PEN			09/97
	76.1185.02	S/N/mR/800	Blende	bandeau	copertura	filler							BEN		09/97
	76.1180.04	S/N/mR/900	Blende	bandeau	copertura	filler	BON								09/97
	76.1181.04	S/N/mR/900	Blende	bandeau	copertura	filler		BON							09/97
	76.1175.04	S/N/mR/900	Blende	bandeau	copertura	filler			BON	BON					09/97

Doc. No.	Index	Issue	DE	FR	IT	GB	Seite/ Page/ Pagina/ Page						
76.9273.50		09/97	Baugruppe	Unité	Unità	Unit	6						
			Verschalung	revêtement	rivestimento	paneling							

Pos.	Product No.		Bezeichnung	Désignation	Designazione	Designation	BON/BEN/PEN								Intro- duction
							40	60	80	100	150	200	300	400	
3	76.1182.04	S/N/mR/900	Blende	bandeau	copertura	filler					BON				09/97
	76.1181.04	S/N/mR/900	Blende	bandeau	copertura	filler			BEN PEN						09/97
	76.1183.04	S/N/mR/900	Blende	bandeau	copertura	filler					BEN PEN	BEN PEN			09/97
	76.1184.04	S/N/mR/900	Blende	bandeau	copertura	filler							BEN PEN		09/97
	76.1185.04	S/N/mR/900	Blende	bandeau	copertura	filler								BEN	09/97
	76.5335.01	S/F/900	Blende	bandeau	copertura	filler	BON								09/97
	76.5335.02	S/F/900	Blende	bandeau	copertura	filler		BON							09/97
	76.5335.03	S/F/900	Blende	bandeau	copertura	filler			BON	BON					09/97
	76.5335.04	S/F/900	Blende	bandeau	copertura	filler					BON				09/97
	76.5335.02	S/F/900	Blende	bandeau	copertura	filler			BEN PEN						09/97
	76.5335.05	S/F/900	Blende	bandeau	copertura	filler					BEN PEN	BEN PEN			09/97
	76.5335.06	S/F/900	Blende	bandeau	copertura	filler							BEN PEN		09/97
	76.5335.07	S/F/900	Blende	bandeau	copertura	filler								BEN	09/97
	76.5376.02	Ju/850-900	Blende	bandeau	copertura	filler			1						09/97
	76.5376.05	Ju/850-900	Blende	bandeau	copertura	filler					1	1			09/97
	76.5376.06	Ju/850-900	Blende	bandeau	copertura	filler							1		09/97
	76.1503	Ju/N	Blende	bandeau	copertura	filler	BON								47w05
	76.1502	Ju/N	Blende	bandeau	copertura	filler		BON	BON						47w05
4	76.1147.01	P/700h	Schalterfront	panneau de commande	pannello di comando	switch panel	1	1	1	1	1	1	1	1	09/97
	76.1147.02	C/700h	Schalterfront	panneau de commande	pannello di comando	switch panel	1	1	1	1	1	1	1	1	09/97
	76.1147.03	P/U/700h	Schalterfront	panneau de commande	pannello di comando	switch panel	1	1	1	1	1	1	1	1	09/97
	76.1147.04	C/U/700h	Schalterfront	panneau de commande	pannello di comando	switch panel	1	1	1	1	1	1	1	1	09/97
	76.1202	H/700h	Schalterfront	panneau de commande	pannello di comando	switch panel	1	1	1	1	1	1	1	1	12/01
	76.1430	Z/700h	Schalterfront	panneau de commande	pannello di comando	switch panel	1	1	1	1	1	1	1	1	09/97
	76.1148.01	P/800h	Schalterfront	panneau de commande	pannello di comando	switch panel	1	1	1	1	1	1	1	1	09/97
	76.1148.02	C/800h	Schalterfront	panneau de commande	pannello di comando	switch panel	1	1	1	1	1	1	1	1	09/97
	76.1148.03	P/U/800h	Schalterfront	panneau de commande	pannello di comando	switch panel	1	1	1	1	1	1	1	1	09/97
	76.1148.04	C/U/800h	Schalterfront	panneau de commande	pannello di comando	switch panel	1	1	1	1	1	1	1	1	09/97
	76.1203	H/800h	Schalterfront	panneau de commande	pannello di comando	switch panel	1	1	1	1	1	1	1	1	09/97
	76.1431	Z/800h	Schalterfront	panneau de commande	pannello di comando	switch panel	1	1	1	1	1	1	1	1	12/01

Doc. No.	Index	Issue	DE	FR	IT	GB	Seite/ Page/ Pagina/ Page						
76.9273.50		09/97	Baugruppe	Unité	Unità	Unit	7						
			Verschaltung	revêtement	rivestimento	paneling							

Pos.	Product No.		Bezeichnung	Désignation	Designazione	Designation	BON/BEN/PEN								Intro- duction
							40	60	80	100	150	200	300	400	
4	76.5362.01	Ju/P/650h	Schalterfront	panneau de commande	pannello di comando	switch panel			1		1	1	1		09/97
	76.5362.02	Ju/C/650h	Schalterfront	panneau de commande	pannello di comando	switch panel			1		1	1	1		09/97
	76.5362.03	Ju/P/U/650h	Schalterfront	panneau de commande	pannello di comando	switch panel			1		1	1	1		09/97
	76.5362.04	Ju/C/U/650h	Schalterfront	panneau de commande	pannello di comando	switch panel			1		1	1	1		09/97
	76.5288.01	Ju/P/700h	Schalterfront	panneau de commande	pannello di comando	switch panel			1		1	1	1		09/97
	76.5288.02	Ju/C/700h	Schalterfront	panneau de commande	pannello di comando	switch panel			1		1	1	1		09/97
	76.5288.03	Ju/P/U/700h	Schalterfront	panneau de commande	pannello di comando	switch panel			1		1	1	1		09/97
	76.5288.04	Ju/C/U/700h	Schalterfront	panneau de commande	pannello di comando	switch panel			1		1	1	1		09/97
	76.5360.01	Ju/P/750h	Schalterfront	panneau de commande	pannello di comando	switch panel			1		1	1	1		09/97
	76.5360.02	Ju/C/750h	Schalterfront	panneau de commande	pannello di comando	switch panel			1		1	1	1		09/97
	76.5360.03	Ju/P/U/750h	Schalterfront	panneau de commande	pannello di comando	switch panel			1		1	1	1		09/97
	76.5360.04	Ju/C/U/750h	Schalterfront	panneau de commande	pannello di comando	switch panel			1		1	1	1		09/97
5	76.1172	RW/700h	Schalterfront	panneau de commande	pannello di comando	switch panel	1	1	1	1	1				09/97
	76.1309	RW/700h	Schalterfront	panneau de commande	pannello di comando	switch panel	1	1	1	1	1				08/99
	76.1173	RW/800h	Schalterfront	panneau de commande	pannello di comando	switch panel	1	1	1	1	1				09/97
	76.1310	RW/800h	Schalterfront	panneau de commande	pannello di comando	switch panel	1	1	1	1	1				08/99
6	76.5162.02	700h	Frontblech	tôle frontale	lamiera frontale	front panel	BON								09/97
	76.5163.02	700h	Frontblech	tôle frontale	lamiera frontale	front panel		BON							09/97
	76.5164.02	700h	Frontblech	tôle frontale	lamiera frontale	front panel			BON						09/97
	76.5164.04	700h/800	Frontblech	tôle frontale	lamiera frontale	front panel				BON					09/97
	76.5164.06	700h	Frontblech	tôle frontale	lamiera frontale	front panel				BON					09/97
	76.5165.02	700h	Frontblech	tôle frontale	lamiera frontale	front panel					BON				09/97
	76.5283.02	700h/RW	Frontblech	tôle frontale	lamiera frontale	front panel	BON								09/97
	76.5282.02	700h/RW	Frontblech	tôle frontale	lamiera frontale	front panel		BON							09/97
	76.5281.02	700h/RW	Frontblech	tôle frontale	lamiera frontale	front panel			BON						09/97
	76.5281.04	700h/800/RW	Frontblech	tôle frontale	lamiera frontale	front panel				BON					09/97
	76.5281.06	700h/RW	Frontblech	tôle frontale	lamiera frontale	front panel				BON					09/97
	76.5284.02	700h/RW	Frontblech	tôle frontale	lamiera frontale	front panel					BON				09/97
	76.5082.02	700h	Frontblech	tôle frontale	lamiera frontale	front panel			BEN PEN						09/97
	76.5171.04	700h	Frontblech	tôle frontale	lamiera frontale	front panel					BEN PEN				09/97

Doc. No.	Index	Issue	DE	FR	IT	GB	Seite/ Page/ Pagina/ Page						
76.9273.50		09/97	Baugruppe	Unité	Unità	Unit	8						
			Verschalung	revêtement	rivestimento	paneling							

Pos.	Product No.		Bezeichnung	Désignation	Designazione	Designation	BON/BEN/PEN								Intro- duction
							40	60	80	100	150	200	300	400	
6	76.5171.02	700h	Frontblech	tôle frontale	lamiera frontale	front panel						BEN PEN			09/97
	76.5137.02	700h	Frontblech	tôle frontale	lamiera frontale	front panel							BEN PEN		09/97
	76.5299.02	700h	Frontblech	tôle frontale	lamiera frontale	front panel								BEN	09/97
	76.5162.01	800h	Frontblech	tôle frontale	lamiera frontale	front panel	BON								09/97
	76.5163.01	800h	Frontblech	tôle frontale	lamiera frontale	front panel		BON							09/97
	76.5164.01	800h	Frontblech	tôle frontale	lamiera frontale	front panel			BON						09/97
	76.5164.03	800h/800	Frontblech	tôle frontale	lamiera frontale	front panel				BON					09/97
	76.5164.05	800h	Frontblech	tôle frontale	lamiera frontale	front panel				BON					09/97
	76.5165.01	800h	Frontblech	tôle frontale	lamiera frontale	front panel					BON				09/97
	76.5283.01	800h/RW	Frontblech	tôle frontale	lamiera frontale	front panel	BON								09/97
	76.5282.01	800h/RW	Frontblech	tôle frontale	lamiera frontale	front panel		BON							09/97
	76.5281.01	800h/RW	Frontblech	tôle frontale	lamiera frontale	front panel			BON						09/97
	76.5281.03	800h/800/RW	Frontblech	tôle frontale	lamiera frontale	front panel				BON					09/97
	76.5281.05	800h/RW	Frontblech	tôle frontale	lamiera frontale	front panel				BON					09/97
	76.5284.01	800h/RW	Frontblech	tôle frontale	lamiera frontale	front panel					BON				09/97
	76.5082.01	800h	Frontblech	tôle frontale	lamiera frontale	front panel			BEN PEN						09/97
	76.5171.03	800h	Frontblech	tôle frontale	lamiera frontale	front panel					BEN PEN				09/97
	76.5171.01	800h	Frontblech	tôle frontale	lamiera frontale	front panel						BEN PEN			09/97
	76.5137.01	800h	Frontblech	tôle frontale	lamiera frontale	front panel							BEN PEN		09/97
	76.5299.01	800h	Frontblech	tôle frontale	lamiera frontale	front panel								BEN	09/97
	76.5356.01	Ju/650h	Frontblech	tôle frontale	lamiera frontale	front panel			1						09/97
	76.5289.01	Ju/650h	Frontblech	tôle frontale	lamiera frontale	front panel				1					09/97
	76.5289.03	Ju/650h	Frontblech	tôle frontale	lamiera frontale	front panel					1				09/97
	76.5357.01	Ju/650h	Frontblech	tôle frontale	lamiera frontale	front panel						1			09/97
	76.5356.02	Ju/750h	Frontblech	tôle frontale	lamiera frontale	front panel			1						09/97
	76.5289.02	Ju/750h	Frontblech	tôle frontale	lamiera frontale	front panel				1					09/97
	76.5289.04	Ju/750h	Frontblech	tôle frontale	lamiera frontale	front panel					1				09/97
	76.5357.02	Ju/750h	Frontblech	tôle frontale	lamiera frontale	front panel						1			09/97

Doc. No.	Index	Issue	DE	FR	IT	GB	Seite/ Page/ Pagina/ Page						
76.9273.50		09/97	Baugruppe	Unité	Unità	Unit	9						
			Verschalung	revêtement	rivestimento	paneling							

Pos.	Product No.		Bezeichnung	Désignation	Designazione	Designation	BON/BEN/PEN								Intro- duction	
							40	60	80	100	150	200	300	400		
7	76.5223.01	F/700h	Rückwand	paroi arrière	parete posteriore	rear panel	BON									09/97
	76.5224.01	F/700h	Rückwand	paroi arrière	parete posteriore	rear panel		BON								09/97
	76.5225.01	F/700h	Rückwand	paroi arrière	parete posteriore	rear panel			BON	BON						09/97
	76.5226.01	F/700h	Rückwand	paroi arrière	parete posteriore	rear panel					BON					09/97
	76.5224.01	F/700h	Rückwand	paroi arrière	parete posteriore	rear panel			BEN PEN							09/97
	76.5227.01	F/700h	Rückwand	paroi arrière	parete posteriore	rear panel					BEN PEN	BEN PEN				09/97
	76.5138.01	F/700h	Rückwand	paroi arrière	parete posteriore	rear panel							BEN PEN			09/97
	76.5228.01	F/700h	Rückwand	paroi arrière	parete posteriore	rear panel									BEN	09/97
	76.5223.02	F/800h	Rückwand	paroi arrière	parete posteriore	rear panel	BON									09/97
	76.5224.02	F/800h	Rückwand	paroi arrière	parete posteriore	rear panel		BON								09/97
	76.5225.02	F/800h	Rückwand	paroi arrière	parete posteriore	rear panel			BON	BON						09/97
	76.5226.02	F/800h	Rückwand	paroi arrière	parete posteriore	rear panel					BON					09/97
	76.5224.02	F/800h	Rückwand	paroi arrière	parete posteriore	rear panel			BEN PEN							09/97
	76.5227.02	F/800h	Rückwand	paroi arrière	parete posteriore	rear panel					BEN PEN	BEN PEN				09/97
	76.5138.02	F/800h	Rückwand	paroi arrière	parete posteriore	rear panel							BEN PEN			09/97
	76.5228.02	F/800h	Rückwand	paroi arrière	parete posteriore	rear panel									BEN	09/97
	76.1174.01	N/B/700h/L	Rückwand	paroi arrière	parete posteriore	rear panel	BON									09/97
	76.1189.01	N/B/700h/R	Rückwand	paroi arrière	parete posteriore	rear panel	BON									09/97
	76.1174.02	N/B/700h/L	Rückwand	paroi arrière	parete posteriore	rear panel		BON								09/97
	76.1189.02	N/B/700h/R	Rückwand	paroi arrière	parete posteriore	rear panel		BON								09/97
	76.1174.03	N/B/700h/L	Rückwand	paroi arrière	parete posteriore	rear panel			BON	BON						09/97
	76.1189.03	N/B/700h/R	Rückwand	paroi arrière	parete posteriore	rear panel			BON	BON						09/97
	76.1174.04	N/B/700h/L	Rückwand	paroi arrière	parete posteriore	rear panel					BON					09/97
	76.1189.04	N/B/700h/R	Rückwand	paroi arrière	parete posteriore	rear panel					BON					09/97
	76.1174.02	N/B/700h/L	Rückwand	paroi arrière	parete posteriore	rear panel			BEN PEN							09/97
	76.1189.02	N/B/700h/R	Rückwand	paroi arrière	parete posteriore	rear panel			BEN PEN							09/97

Doc. No.	Index	Issue	DE	FR	IT	GB	Seite/ Page/ Pagina/ Page			
76.9273.50		09/97	Baugruppe	Unité	Unità	Unit	10			
			Verschalung	revêtement	rivestimento	paneling				

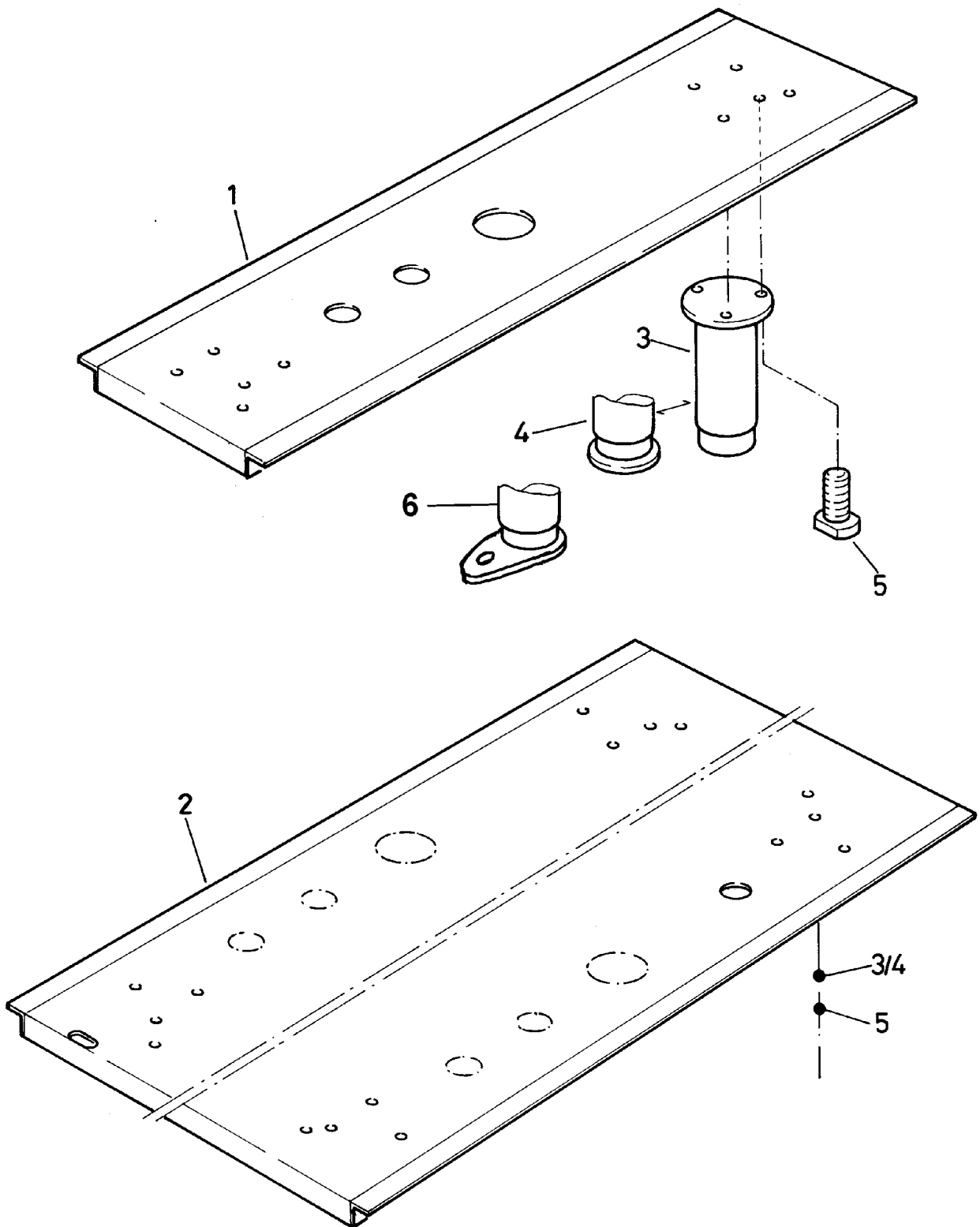
Pos.	Product No.		Bezeichnung	Désignation	Designazione	Designation	BON/BEN/PEN							Intro- duction	
							40	60	80	100	150	200	300		400
7	76.1174.05	N/B/700h/L	Rückwand	paroi arrière	parete posteriore	rear panel					BEN PEN	BEN PEN			09/97
	76.1189.05	N/B/700h/R	Rückwand	paroi arrière	parete posteriore	rear panel					BEN PEN	BEN PEN			09/97
	76.1174.06	N/B/700h/L	Rückwand	paroi arrière	parete posteriore	rear panel							BEN PEN		09/97
	76.1189.06	N/B/700h/R	Rückwand	paroi arrière	parete posteriore	rear panel							BEN PEN		09/97
	76.1174.07	N/B/700h/L	Rückwand	paroi arrière	parete posteriore	rear panel								BEN	09/97
	76.1189.07	N/B/700h/R	Rückwand	paroi arrière	parete posteriore	rear panel								BEN	09/97
	76.1174.11	N/B/700h/L	Rückwand	paroi arrière	parete posteriore	rear panel	BON								09/97
	76.1189.11	N/B/700h/R	Rückwand	paroi arrière	parete posteriore	rear panel	BON								09/97
	76.1174.12	N/B/700h/L	Rückwand	paroi arrière	parete posteriore	rear panel		BON							09/97
	76.1189.12	N/B/700h/R	Rückwand	paroi arrière	parete posteriore	rear panel		BON							09/97
	76.1174.13	N/B/700h/L	Rückwand	paroi arrière	parete posteriore	rear panel			BON	BON					09/97
	76.1189.13	N/B/700h/R	Rückwand	paroi arrière	parete posteriore	rear panel			BON	BON					09/97
	76.1174.14	N/B/700h/L	Rückwand	paroi arrière	parete posteriore	rear panel					BON				09/97
	76.1189.14	N/B/700h/R	Rückwand	paroi arrière	parete posteriore	rear panel					BON				09/97
	76.1174.12	N/B/700h/L	Rückwand	paroi arrière	parete posteriore	rear panel			BEN PEN						09/97
	76.1189.12	N/B/700h/R	Rückwand	paroi arrière	parete posteriore	rear panel			BEN PEN						09/97
	76.1174.15	N/B/700h/L	Rückwand	paroi arrière	parete posteriore	rear panel					BEN PEN	BEN PEN			09/97
	76.1189.15	N/B/700h/R	Rückwand	paroi arrière	parete posteriore	rear panel					BEN PEN	BEN PEN			09/97
	76.1174.16	N/B/700h/L	Rückwand	paroi arrière	parete posteriore	rear panel							BEN PEN		09/97
	76.1189.16	N/B/700h/R	Rückwand	paroi arrière	parete posteriore	rear panel							BEN PEN		09/97
	76.1174.17	N/B/700h/L	Rückwand	paroi arrière	parete posteriore	rear panel								BEN	09/97
	76.1189.17	N/B/700h/R	Rückwand	paroi arrière	parete posteriore	rear panel								BEN	09/97

Doc. No.	Index	Issue	DE	FR	IT	GB	Seite/ Page/ Pagina/ Page					
76.9273.50		09/97	Baugruppe	Unité	Unità	Unit	11					
			Verschalung	revêtement	rivestimento	paneling						

Pos.	Product No.		Bezeichnung	Désignation	Designazione	Designation	BON/BEN/PEN								Intro- duction	
							40	60	80	100	150	200	300	400		
7	76.5229.01	N/E/700h	Rückwand	paroi arrière	parete posteriore	rear panel	BON									12/99
	76.5229.02	N/E/800h	Rückwand	paroi arrière	parete posteriore	rear panel	BON									12/99
	76.5230.01	N/E/700h	Rückwand	paroi arrière	parete posteriore	rear panel		BON	BEN PEN							12/99
	76.5230.02	N/E/800h	Rückwand	paroi arrière	parete posteriore	rear panel		BON	BEN PEN							12/99
	76.5231.01	N/E/700h	Rückwand	paroi arrière	parete posteriore	rear panel			BON	BON						12/99
	76.5231.02	N/E/800h	Rückwand	paroi arrière	parete posteriore	rear panel			BON	BON						12/99
	76.5232.01	N/E/700h	Rückwand	paroi arrière	parete posteriore	rear panel					BON					12/99
	76.5232.02	N/E/800h	Rückwand	paroi arrière	parete posteriore	rear panel					BON					12/99
	76.5233.01	N/E/700h	Rückwand	paroi arrière	parete posteriore	rear panel					BEN PEN	BEN PEN				12/99
	76.5233.02	N/E/800h	Rückwand	paroi arrière	parete posteriore	rear panel					BEN PEN	BEN PEN				12/99
	76.5234.01	N/E/700h	Rückwand	paroi arrière	parete posteriore	rear panel							BEN PEN			12/99
	76.5234.02	N/E/800h	Rückwand	paroi arrière	parete posteriore	rear panel							BEN PEN			12/99
	76.5235.01	N/E/700h	Rückwand	paroi arrière	parete posteriore	rear panel								BEN PEN		12/99
	76.5235.02	N/E/800h	Rückwand	paroi arrière	parete posteriore	rear panel								BEN PEN		12/99

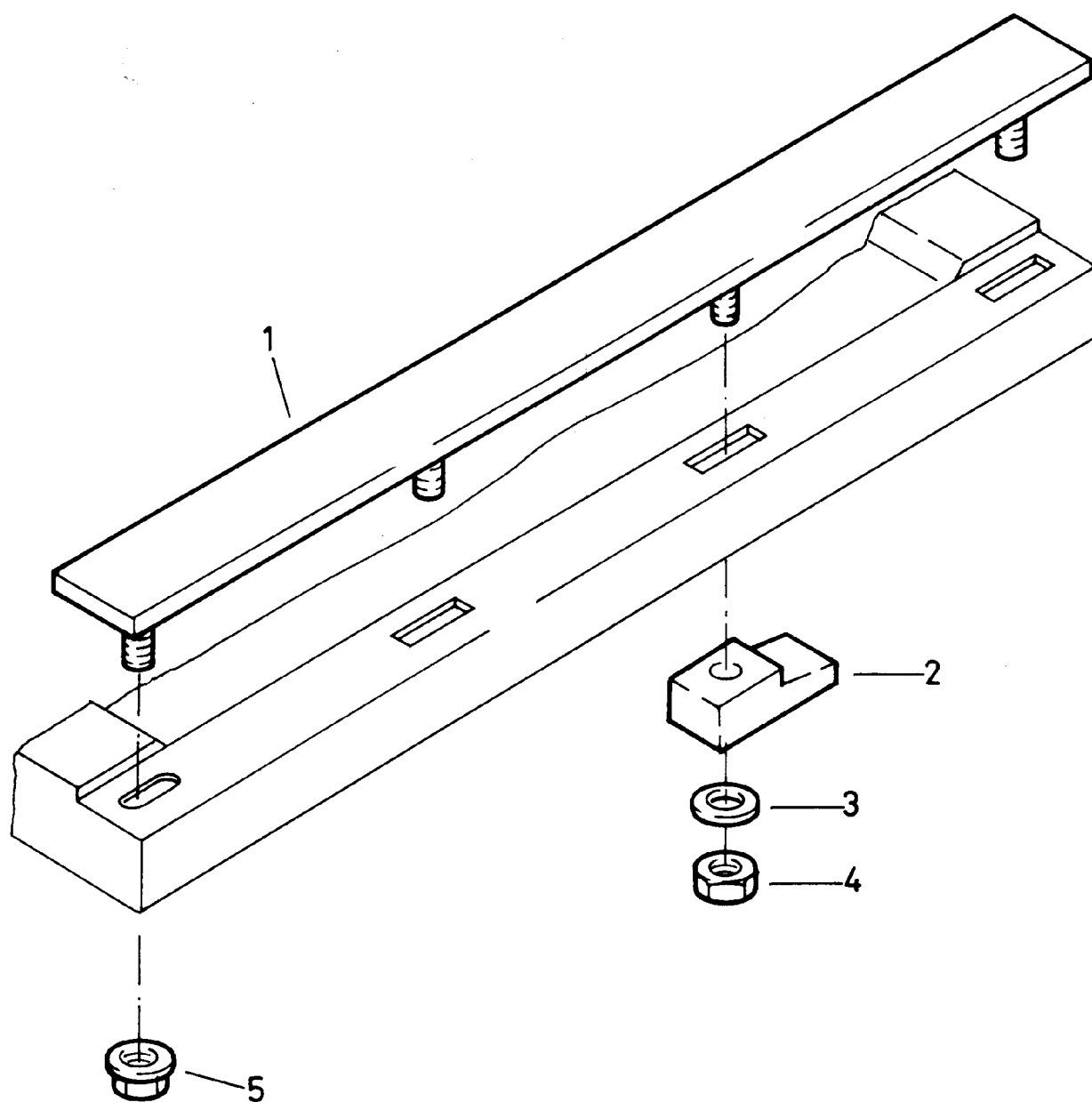
Doc. No.	Index	Issue	DE	FR	IT	GB	Seite/ Page/ Pagina/ Page
76.9273.50		09/97	Baugruppe	Unité	Unità	Unit	12
			Verschalung	revêtement	rivestimento	paneling	

	Erklärung	explication	spiegazione	explanation
W	Wandbefestigung	montage mural	montaggio a muro	wall mounted
S	Standmontage	montage au sol	montaggio a pavimento	floor mounting
T	auf Füßen	avec pieds	con piede	with feet
F	freistehend	isolé	isolato	free standing
N	an Wand	contre cloison	contro la parete	against wall
A	alle Aufstellungsarten	toutes variantes	tutte varinti	all variants
Hy	Hygienemodell	modèle hygiénique	modello igienico	hygienic model
mR	mit Rückwand	avec paroi arrière	con parete posteriore	with rear panel
B	Anschluss vom Boden	raccordement au sol	raccordo dal pavimento	connection from bottom
E	Anschluss von Wand	raccordement au cloison	raccordo dalla parete	connection from wall
800-900	Gerätetiefe	profondeur d'appareil	profondità dell'apparecchio	appliance depth
650h-800h	Gerätehöhe	hauteur d'appareil	altezza dell'apparecchio	appliance hight
L	links	gauche	sinistra	left
R	rechts	droit	destra	right
Ju	Ausführung Juno	modèle Juno	modello Juno	model Juno
RW	Rührwerk	melangeur	mescolatore	stirring system
2G	2 Geräte zusammen	2 appareils ensemble	2 apparecchi insieme	2 appl. together
oW	ohne Seitenwand	sans paroi latérale	senza parete laterale	without side panel
P	Steuerung Prozess Comfort	commande Comfort	comando	control system
C	Comfort			
H	Handsteuerung	commande manuelle	regolazione a mano	manual control
Z	Chilltherm	Cook + Chill		
U	Hauptschalter	interrupteur principal	interruttore generale	main interruptor



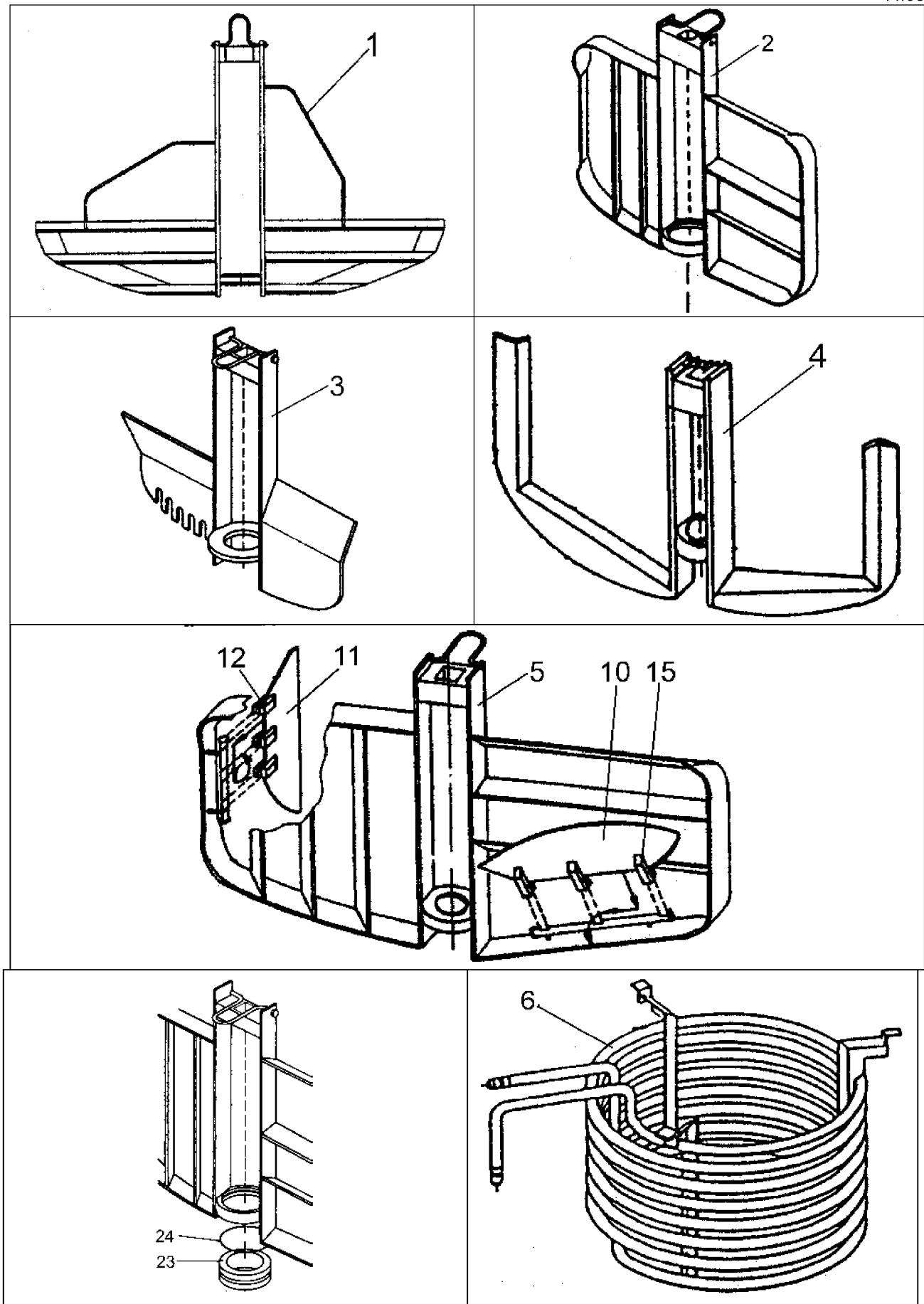
Doc. No.	Index	Issue	DE	FR	IT	GB	Seite/ Page/ Pagina/ Page
76.9273.51		06/98	Baugruppe	Unité	Unità	Unit	1
			Füsse	pieds	piede	feet	

Pos.	Product No.	Bezeichnung	Désignation	Designazione	Designation	BON		Introduction
1	76.5192.06	Bodenplatte	plaque de fond	placca del suolo	base plate	BON 040		06/98
	76.5185.06	Bodenplatte	plaque de fond	placca del suolo	base plate	BON 060		06/98
	76.5302.01	Deckel	couvercle	coperchio	lid	BON 040/060		06/98
	76.5285.06	Bodenplatte	plaque de fond	placca del suolo	base plate	BON 080/100		06/98
	76.5302.02	Deckel	couvercle	coperchio	lid	BON 080/100		06/98
	76.5207.06	Bodenplatte	plaque de fond	placca del suolo	base plate	BON 150		06/98
	76.5302.02	Deckel	couvercle	coperchio	lid	BON 150		06/98
3	72.4344	Fuss	pied	piede	foot		100mm	06/98
	72.4249	Fuss	pied	piede	foot		200mm	06/98
4	72.4351	Fuss	pied	piede	foot	Marine	100mm	06/98
	72.4250	Fuss	pied	piede	foot	Marine	200mm	06/98
5	75.5006.06	Schraube	vis	vite	screw		M4	06/98
6	72.4351.02	Fuss	pied	piede	foot	Marine	100mm	04/00
		Fuss	pied	piede	foot	Marine	200mm	04/00



Doc. No.	Index	Issue	DE	FR	IT	GB	Seite/ Page/ Pagina/ Page			
76.9273.52	1	09.97	Baugruppe	Unité	Unità	Unit	1			
			Verbindungs-schiene	rail intermédiaire	asta congiungimento	intermediate rail				

Pos.	Product No.	Service No.	Bezeichnung	Désignation	Designazione	Designation	Type			Introduc-tion
1-5	76.2227		Endschiene	rail terminal	asta finale	end rail	800		1	10/00
	76.2229		Endschiene	rail terminal	asta finale	end rail	900		1	10/00
	71.0575		Endschiene	rail terminal	asta finale	end rail	1000		1	06/82
	76.2228		Zwischenschiene	rail d'assemblage	asta di congiungimento	intermediate rail	800		1	10/00
	76.2230		Zwischenschiene	rail d'assemblage	asta di congiungimento	intermediate rail	900		1	10/00
	76.2142.01		Zwischenschiene mit Ausschnitt Länge rechts 1000 Länge links 900	rail d'assemblage avec découpe longueur droit 1000 longueur gauche 900	asta di congiungimento con foro lunghezza destra 1000 lunghezza sinistra 900	intermediate rail with cutout length right 1000 length left 900	1000		1	08.98
	76.2142.02		Zwischenschiene mit Ausschnitt Länge rechts 900 Länge links 1000	rail d'assemblage avec découpe longueur droit 900 longueur gauche 1000	asta di congiungimento con foro lunghezza destra 900 lunghezza sinistra 1000	intermediate rail with cutout length right 900 length left 1000	1000		1	08.98
	76.2143.01		Zwischenschiene ohne Ausschnitt Gerät: Länge rechts 1000 Länge links 900	rail d'assemblage sans découpe appareil: longueur droit 1000 longueur gauche 900	asta di congiungimento senza foro apparecchio: lunghezza destra 1000 lunghezza sinistra 900	intermediate rail without cutout appliance: length right 1000 length left 900	1000		1	08.98
	76.2143.02		Zwischenschiene ohne Ausschnitt Gerät: Länge rechts 900 Länge links 1000	rail d'assemblage sans découpe appareil: longueur droit 900 longueur gauche 1000	asta di congiungimento senza foro apparecchio: lunghezza destra 900 lunghezza sinistra 1000	intermediate rail without cutout appliance: length right 900 length left 1000	1000		1	08.98
2	705 040 074		Keil	clavette	cuneo	wedge			3/6	06/82
3	1701 5047		Federring	anneau de ressort	anello di molla	spring ring	M6		3/6	06/82
4	1701 3016	1101 8572	Mutter	écrou	dado	nut	M6/0.8d		3/6	06/82
5	712 044 120.06	1101 8577	Mutter	écrou	dado	nut	M6		3/6	06/82

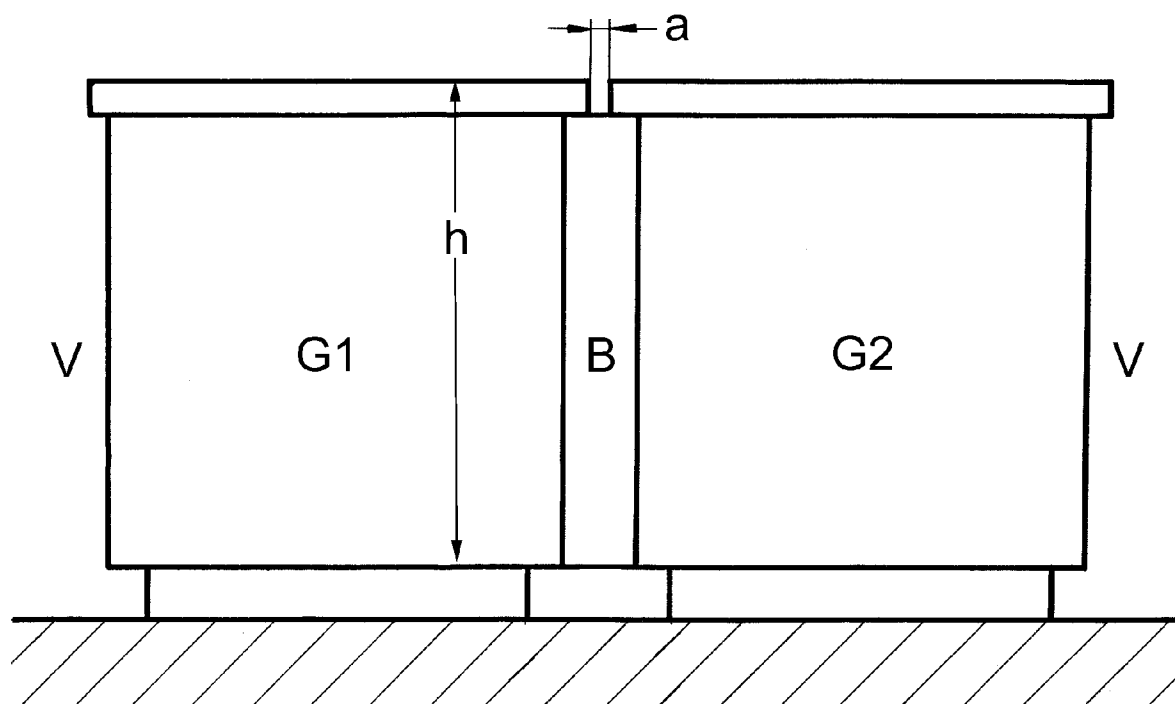


Doc. No.	Index	Issue	DE	FR	IT	GB	Seite/ Page/ Pagina/ Page								
76.9273.55		11/98	Baugruppe	Unité	Unità	Unit	1								
BON			Rührer Kühleinsatz	Mélangeur Serpentin	Mescolatore Serpentina	Stirrer Cooling coils									

Pos.	Product No.	Service No.	Bezeichnung	Désignation	Designazione	Designation	x	y	z	M	40	60	80	100	150	Introduc- -tion
1	76.4304		Universalrührer komplett	mélangeur universel complet	mescolatore universale completo	universal stirr complete					1					11/98
	76.4229		Universalrührer komplett	mélangeur universel complet	mescolatore universale completo	universal stirr complete						1				11/98
	76.4230		Universalrührer komplett	mélangeur universel complet	mescolatore universale completo	universal stirr complete			900 800				1			11/98
	76.4231 76.4307		Universalrührer komplett	mélangeur universel complet	mescolatore universale completo	universal stirr complete								1		11/98
	76.4232		Universalrührer komplett	mélangeur universel complet	mescolatore universale completo	universal stirr complete									1	11/98
2	76.4294.XX		Gitterrührer komplett	mélangeur à grille complet	mescolatore a sbarre completo	grid sti complete			800 900		02	03	04	05	06 07	11/98
3	76.4287.XX		Balkenrührer komplett	mélangeur à pales complet	mescolatore a lama completo	blade st complete			800 900		02	03	04	05	06 07	11/98
4	76.4314.XX		Ankerrührer komplett	mélangeur type ancre complet	mescolatore ad ancora completo	anchor stirrer complete			800 900		02	03	04	05	06 07	11/98
5	76.4413		Gitterrührer mit Abstreifer komplett	mélangeur à grille avec racloirs complet	mescolatore a sbarre con spatole completo	grid stirrer with scr complete						1				11/98
	76.4412		Gitterrührer mit Abstreifer komplett	mélangeur à grille avec racloirs complet	mescolatore a sbarre con spatole completo	grid stirrer with scr complete							1			11/98
	76.4411 76.4416		Gitterrührer mit Abstreifer komplett	mélangeur à grille avec racloirs complet	mescolatore a sbarre con spatole completo	grid stirrer with scr complete			900 800					1 1		11/98
	76.4410		Gitterrührer mit Abstreifer komplett	mélangeur à grille avec racloirs complet	mescolatore a sbarre con spatole completo	grid stirrer with scr complete									1	11/98

Doc. No.	Index	Issue	DE	FR	IT	GB	Seite/ Page/ Pagina/ Page				
76.9273.55		11/98	Baugruppe	Unité	Unità	Unit	2				
BON			Rührer Kühleinsatz	Mélangeur Serpentin	Mescolatore Serpentina	Stirrer Cooling coils					

Pos.	Product No.	Service No.	Bezeichnung	Désignation	Designazione	Designation	x	y	z	M	40	60	80	100	150	Introduc- -tion
6	76.4455 76.4538		Kühleinsatz	serpentin	serpentina	cooling coil			900 800					1 1		11/98
	76.4463		Kühleinsatz	serpentin	serpentina	cooling coil			900						1	11/98
6a	70.1065.01		Schlauch	tuyau flexible	tubo flessibile	hose					1	1	1	1	1	11/98
	70.0798.03		Kupplungsstück Mischbatterie	pièce d'accouplement mitigeur	pezzo d'agganciamento batteria erogazione acqua	coupling part mixing unit					1	1	1	1	1	11/98
	70.0798.01		Kupplungsstück Kühleinsatz	pièce d'accouplement serpentin	pezzo d'agganciamento serpentina	coupling part cooling coil					1	1	1	1	1	11/98
10	76.4413.04		Abstreifer	racloirs	spatole	scrapers						1				11/98
	76.4412.04		Abstreifer	racloirs	spatole	scrapers							1			11/98
	76.4411.04 76.4416.04 (t=800)		Abstreifer	racloirs	spatole	scrapers								1		11/98
	76.4410.04		Abstreifer	racloirs	spatole	scrapers									1	11/98
11	76.4413.03		Abstreifer	racloirs	spatole	scrapers						1				11/98
	76.4412.03		Abstreifer	racloirs	spatole	scrapers							1			11/98
	76.4411.03 76.4416.03 (t=800)		Abstreifer	racloirs	spatole	scrapers								1		11/98
	76.4410.03		Abstreifer	racloirs	spatole	scrapers									1	11/98
12	70.1074		Befestigungsbügel	étrier de fixation	archetto d'allaccio	attachement clamp						4	4	4	5	11/98
15	1701 1056		Schraube M3x30	vis	vite	screw M3x30						4	4	4	5	11/98
23	70.1248		Lager	palier	cuscinetto	bearing					1	1	1	1	1	11/98
24	70.0837.02		Drahring	anneau métallique	anello di filo di ferro	wire ring					1	1	1	1	1	11/98



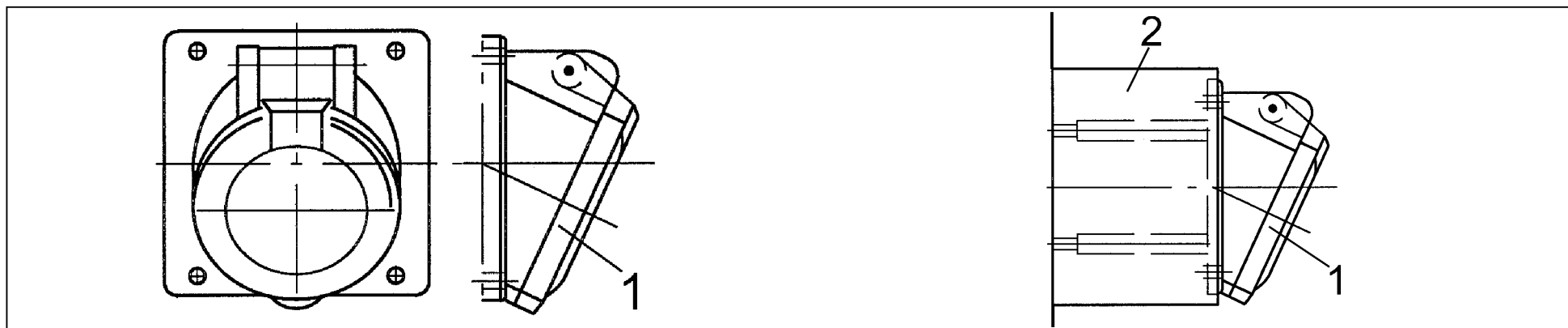
	Erklärung	explication	spiegazione	explanation
B	Blende	bandeau	copertura	filler
G1	Gerät auf linker Seite	appareil à côté gauche	apparecchio a sinistra	appliance on the left
G2	Gerät auf rechter Seite	appareil à côté droite	apparecchio a destra	appliance on the right
V	Vorderseite	avant	parte frontale	front
h	Gerätehöhe mm	hauteur d'appareil mm	altezza dell'apparecchio mm	appliance height mm
a	Abstand mm	distance mm	distanza mm	distance mm
SK	Standkochkessel	marmite fixe	pentola	stationary boiling pan
KA	Kippapparat	appareil basculant	apparecchio ribaltabile	tilting appliance
HE	Herd	fourneau	cucina	range
ZT	Zwischentisch	table intermédiaire	tavolo intermedio	centre-spreader

DE	FR	IT	GB	76.9273.60 01/99
Baugruppe	Unité	Unità	Unit	Seite/page/pagina/page
Blende B Geräte Rücken an Rücken	Bandeau B Appareils dos à dos	Copertura B Apparechi schiena a schiena	Filler B Appliances back to back	1

G1	G2	h	a	B
KA	KA	800	0	76.1128.03
KA	SK	800	0	76.1299.01
KA	HE	800	0	76.1300.01
HE	KA	800	0	76.1301.01
KA	ZT	800	0	76.1128.02
ZT	KA	800	0	76.1128.02
SK	SK	800	0	76.5425.01
SK	KA	800	0	76.1299.01
SK	HE	800	0	76.5426.01
HE	SK	800	0	76.5426.01
SK	ZT	800	0	76.5426.05
ZT	SK	800	0	76.5426.05
KA	KA	800	10	76.1128.07
KA	SK	800	10	76.1299.02
KA	HE	800	10	76.1300.02
HE	KA	800	10	76.1301.02
KA	ZT	800	10	76.1128.09
ZT	KA	800	10	76.1128.09
SK	SK	800	10	76.5425.02
SK	KA	800	10	76.1299.02
SK	HE	800	10	76.5426.02
HE	SK	800	10	76.5426.02
SK	ZT	800	10	76.5426.06
ZT	SK	800	10	76.5426.06
KA	KA	700	0	76.1128.06
KA	SK	700	0	76.1299.03
KA	HE	700	0	76.1300.03
HE	KA	700	0	76.1301.03
KA	ZT	700	0	76.1128.05
ZT	KA	700	0	76.1128.05
SK	SK	700	0	76.5425.03
SK	KA	700	0	76.1299.03
SK	HE	700	0	76.5426.03
HE	SK	700	0	76.5426.03
SK	ZT	700	0	76.5426.07
ZT	SK	700	0	76.5426.07
KA	KA	700	10	76.1128.08
KA	SK	700	10	76.1299.04
KA	HE	700	10	76.1300.04
HE	KA	700	10	76.1301.04
KA	ZT	700	10	76.1128.10
ZT	KA	700	10	76.1128.10
SK	SK	700	10	76.5425.04
SK	KA	700	10	76.1299.04
SK	HE	700	10	76.5426.04
HE	SK	700	10	76.5426.04
SK	ZT	700	10	76.5426.08
ZT	SK	700	10	76.5426.08

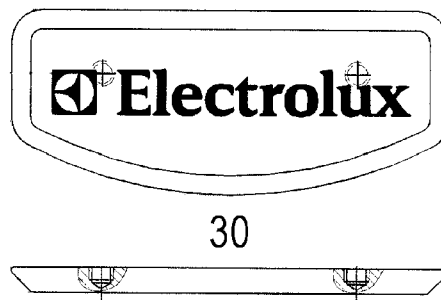
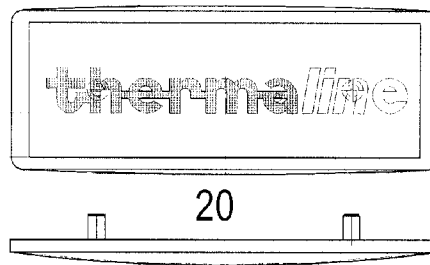
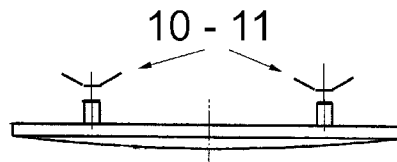
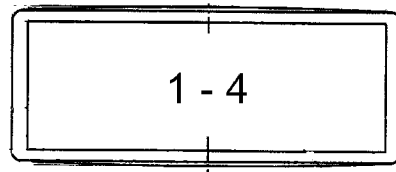
76.9273.65

07.00



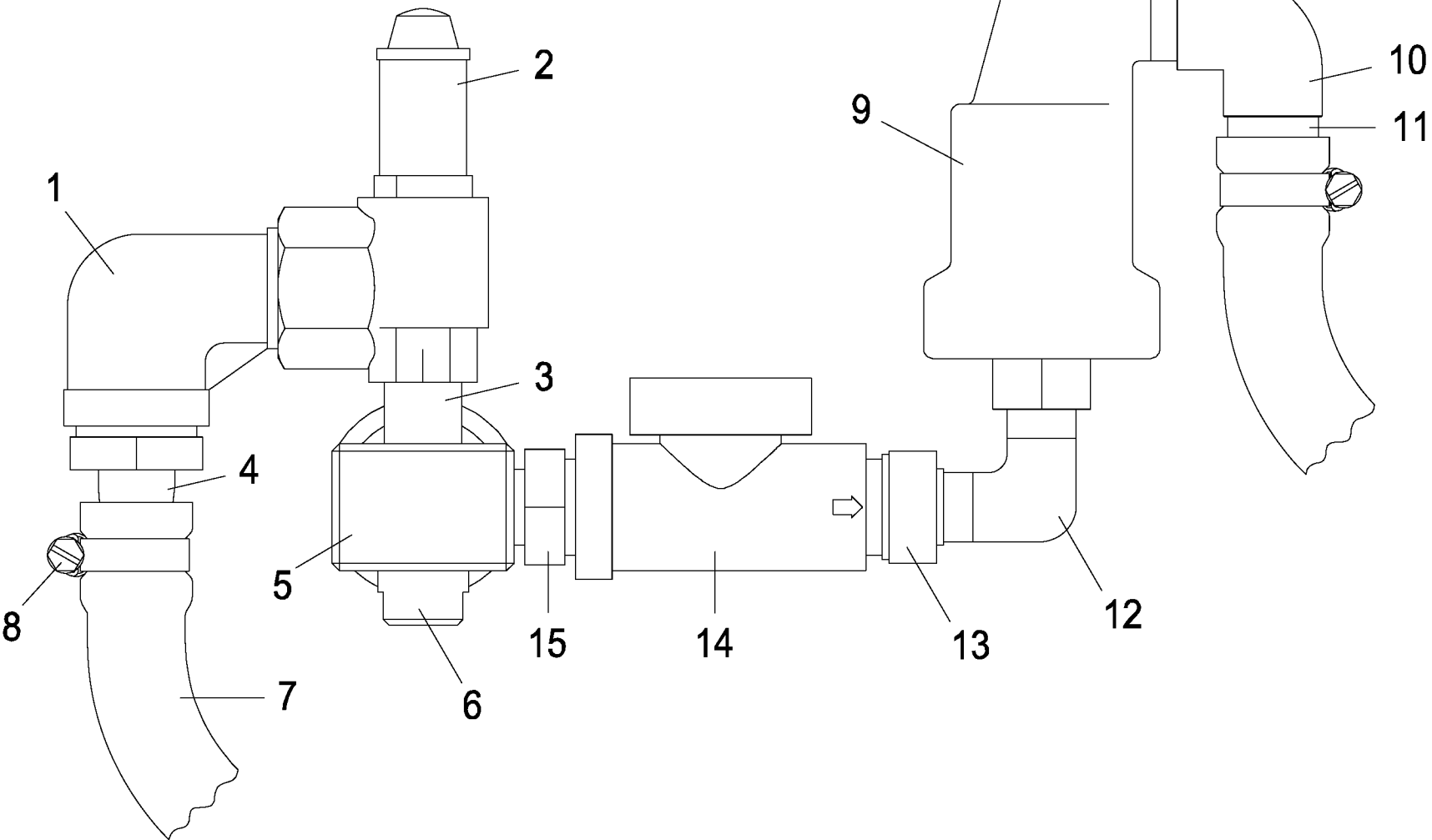
Doc. No.	Issue	DE	FR	IT	GB	Seite/ Page/ Pagina/ Page
76.9273.65	07/00	Baugruppe Steckdose	Unité prise	Unità presa di corrente	Unit socket	1

Pos.	Product No.	Service No.	Bezeichnung	Désignation	Designazione	Designation	Type	Introduction
1	1115 1443		Steckdose EURO	prise EURO	presa di corrente EURO	socket EURO	16A/3N/400V	07/00
	1115 1444		Steckdose EURO	prise EURO	presa di corrente EURO	socket EURO	32A/3N/400V	07/00
	1115 1579		Steckdose CH	prise CH	presa di corrente CH	socket CH	16A/1N/230V	07/00
	1115 1578		Steckdose CH	prise CH	presa di corrente CH	socket CH	16A/3N/400V	07/00
2	1115 1445		Gehäuse EURO	boîtier EURO	base EURO	housing EURO		07/00



			Baugruppe Schild	unité plaquette	unità placchetta	unit label		76.9273.100
								1
								10.00

Pos.	Produkt Nr.	Service Nr.	Bezeichnung	désignation	designazione	designation		
1	72.2252		THERMA					1
2	72.6384		THERMALINE					1
3	76.3177		JUNOLINE					1
4	1201 2031		ELECTROLUX					1
10	1701 5072		Haltering	anneau de fixation	anello di sostegno	retaining ring	Pos. 1÷3	2
11	1201 2032		Haltering	anneau de fixation	anello di sostegno	retaining ring	Pos. 4	2
20	72.6384		THERMALINE					1
30	1201 2060		ELECTROLUX					1



Doc. No.	Issue	DE	GB	Seite/ Page/ Pagina/ Page
76.9273.XX	09/2009	Baugruppe	Unit	
		Chilltherm Schnellentlüfter	Chilltherm rapid deaeration system	TS 2.2338_A

Pos.	Product No.	Bestellnr.	Bezeichnung	Designation	Type	Introduction
1	712 344867.14	0KK168	Winkel INOX	angular pipe	1" / 90°	01/2008
2	75.7000.03	0G4742	Sicherheitsventil	safety relief valve		01/2008
3	1 116 1192	0G5184	Verschraubung	screwing	DN 1/2"	01/2008
4	1 116 1209	0G4743	Schlauchnippel	hose nipple	1"	01/2008
5	76.4358	0K4401	Armatürkörper, komplett	armature body, complete		01/2008
6	12.7296	0H9729	Belüfter	vacuum-brake	1/2"	01/2008
7	1 115 1417	0K5830	Schlauch	hose	i.d. = 20mm	01/2008
8	1 103 1170	0K4550	Schlauchklemme	hose clamp	d25-d35mm	01/2008
9	1 116 1188	0G4376	Schnellentlüfter	rapid daearation	1/2"	01/2008
10	1 116 1140	0G5185	Winkel zu Gewinde	angle for thread	1/2" / 90°	01/2008
11	712 344868.04	0G5186	Gewindenippel	thread nipple	1/2" x 35	01/2008
12	1 116 1207	0G5187	Winkleinschraubverschraubung	angular fitting	1/2"	01/2008
13	1 101 3935	0G5188	Übergangsnippel	flared nipple	1/2" - 3/4"	01/2008
14	1 201 2016	0KX273	Kondensatableiter	steam trap	3/4"	01/2008
15	1 116 1185	0G5189	Reduziernippel	reducing nipple	3/4" - 1/2"	01/2008